

# **355**

## **Programmable Printer**

### **User's Guide**

©Mettler-Toledo, Inc. 1999

No part of this manual may be reproduced or transmitted in any form or by any means, electronic or mechanical, including photocopying and recording, for any purpose without the express written permission of Mettler-Toledo, Inc.

U.S. Government Restricted Rights: This documentation is furnished with Restricted Rights.

# METTLER TOLEDO®

## Customer Feedback

Attention: Retail Quality Manager - MTWR

If you have a problem with one of our products or publications, or just a suggestion on how we can serve you better, please fill out this form and send it to the address on the opposite side of this page (U.S. postage paid), or fax it to us at **(614) 438-4355**. Your feedback will help us to improve product performance, quality, and service.



Part / Product Name:	
Part / Model Number:	Date:
Provided By:	
Customer Name:	
Address:	
Phone Number:	Fax Number:

Your comments:


*Do not write in space below. For METTLER TOLEDO use only. Response (if appropriate) and corrective action taken.*


METTLER TOLEDO 355 User's Guide A14858900A 8/99

**METTLER TOLEDO**  
Scales & Systems  
1900 Polaris Parkway  
Columbus, Ohio 43240

METTLER TOLEDO® is a registered trademark of Mettler-Toledo, Inc.  
©1999 Mettler-Toledo, Inc.  
Printed in USA



A12745800A

FOLD THIS FLAP FIRST



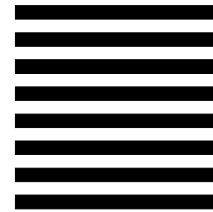
NO POSTAGE  
NECESSARY IF  
MAILED IN THE  
UNITED STATES

**BUSINESS REPLY MAIL**

FIRST CLASS PERMIT NO. 414 COLUMBUS, OH

*POSTAGE WILL BE PAID BY ADDRESSEE*

Mettler-Toledo, Inc.  
Retail Quality Manager - MTWR  
P.O. Box 1705  
Columbus, OH 43216  
USA



*Please seal with tape.*

---

## FCC Notice

This device complies with Part 15 of the FCC Rules and the Radio Interference Requirements of the Canadian Department of Communications. Operation is subject to the following conditions: (1) this device may not cause harmful interference, and (2) this device must accept any interference received, including interference that may cause undesired operation.

This equipment has been tested and found to comply with the limits for a Class A digital device, pursuant to Part 15 of FCC Rules. These limits are designed to provide reasonable protection against harmful interference when the equipment is operated in a commercial environment. This equipment generates, uses, and can radiate radio frequency energy and, if not installed and used in accordance with the instruction manual, may cause harmful interference to radio communications. Operation of this equipment in a residential area is likely to cause harmful interference in which case the user will be required to correct the interference at his own expense.

---

## Publication Revision History

Part Number	Date	Revisions
A14858900A	8/99	Add new features and Ethernet Information.

## PRECAUTIONS

READ this manual BEFORE operating or servicing this equipment.

FOLLOW these instructions carefully.

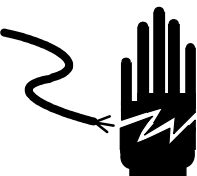

SAVE this manual for future reference.

DO NOT allow untrained personnel to operate, clean, inspect, maintain, service, or tamper with this equipment.

ALWAYS DISCONNECT this equipment from the power source before cleaning or performing maintenance.

CALL METTLER TOLEDO for parts, information, and service.

	 <b>WARNING</b>
	<b>FOR CONTINUED PROTECTION AGAINST SHOCK HAZARD CONNECT TO PROPERLY GROUNDED OUTLET ONLY. DO NOT REMOVE THE GROUND PRONG.</b>

	 <b>WARNING</b>
	<b>DISCONNECT ALL POWER TO THIS UNIT BEFORE REMOVING THE FUSE OR SERVICING.</b>

# CONTENTS

<b>1</b>	<b>Introduction .....</b>	<b>1-1</b>
	<b>General Description .....</b>	<b>1-1</b>
	<b>Power Up .....</b>	<b>1-1</b>
	<b>Component and Control Locations.....</b>	<b>1-2</b>
	<b>Displays.....</b>	<b>1-3</b>
	<b>Keyboard .....</b>	<b>1-4</b>
<b>2</b>	<b>Labels .....</b>	<b>2-1</b>
	<b>Label Installation.....</b>	<b>2-1</b>
<b>3</b>	<b>Unit Set Up .....</b>	<b>3-1</b>
	<b>Setup Overlay.....</b>	<b>3-1</b>
	<b>Programming with the Preset/Setup Keyboard .....</b>	<b>3-2</b>
	<b>Enter Unit Setup .....</b>	<b>3-2</b>
	<b>Exit Unit Setup .....</b>	<b>3-2</b>
	<b>Set the Time, Date, and Department .....</b>	<b>3-3</b>
	Date Change.....	3-3
	Time Change .....	3-3
	Department Change .....	3-3
	<b>Time and Date Format.....</b>	<b>3-3</b>
	Date Format.....	3-3
	Time Format .....	3-4
	Date Separator .....	3-4
	<b>PLU Preset .....</b>	<b>3-4</b>
	Programming a Preset Key .....	3-4
	Preset Reaction .....	3-4
	<b>Marquee .....</b>	<b>3-5</b>
	Selecting Messages .....	3-5
	Changing the Speed.....	3-5
	<b>Label Format .....</b>	<b>3-5</b>
	Label Format Key.....	3-5
	Label Size Key .....	3-7
	Quick Label Specification Keys .....	3-8
	<b>Enable Modify Functions .....</b>	<b>3-9</b>
	<b>Verify Labels .....</b>	<b>3-9</b>
	<b>Programming Unit Password .....</b>	<b>3-10</b>
<b>4</b>	<b>Operation.....</b>	<b>4-1</b>
	<b>Basic Functions .....</b>	<b>4-1</b>
	Zero (With optional scale) .....	4-1
	Clear.....	4-1
	Label Feed.....	4-1
	Time, Date, Department.....	4-2
	Calling a PLU and Printing Labels.....	4-3
	Tare (with Optional Scale) .....	4-9
	Memory Mode.....	4-10
	Void.....	4-10

	<b>Manual Override Functions</b> .....	<b>4-11</b>
	Tare Override .....	4-11
	Price Override .....	4-11
	ET, NF Record Override.....	4-12
	Net Weight, Count.....	4-12
	Override .....	4-12
	Shelf Life Override .....	4-13
	Blank Label Fields .....	4-13
	<b>Master Off Line</b> .....	<b>4-14</b>
<b>5</b>	<b>Standalone Database Functions</b> .....	<b>5-1</b>
	<b>General Description</b> .....	<b>5-1</b>
	Standalone Database Functions.....	5-2
	<b>Database Setup Mode</b> .....	<b>5-3</b>
	Passwords .....	5-3
	Edit.....	5-3
	Quick Change .....	5-9
	Print .....	5-9
	Clear.....	5-9
<b>6</b>	<b>Maintenance</b> .....	<b>6-1</b>
	<b>External Cleaning</b> .....	<b>6-1</b>
	<b>Internal Printer Cleaning</b> .....	<b>6-2</b>
<b>7</b>	<b>Label Formats</b> .....	<b>7-1</b>
<b>8</b>	<b>Error Messages</b> .....	<b>8-1</b>



# 1

## Introduction

### General Description

#### ISO9001

*This product was developed, produced and tested in a Mettler Toledo facility that has been audited and registered according to international (ISO 9001) quality standards.*

This manual covers operation for all versions of the Model 355 Programmable Printer.

The Model 355 Printer, like all Mettler Toledo products, is designed for maximum durability and reliability in a variety of application environments. The Model 355 is manufactured in a METTLER TOLEDO® ISO 9000 certified facility to assure that you are receiving a high-quality product.

The Mettler Toledo Model 355 (right) is a Programmable PLU thermal label printer suited especially for backroom and bakery printing needs. The Model 355 can be connected (with an optional kit) to the Model 8270 Scale Base for weight input (below). The weighing capacity of the Model 355 with the optional Model 8270 base, is 50 x .01 lb or 20 x .005 kg.

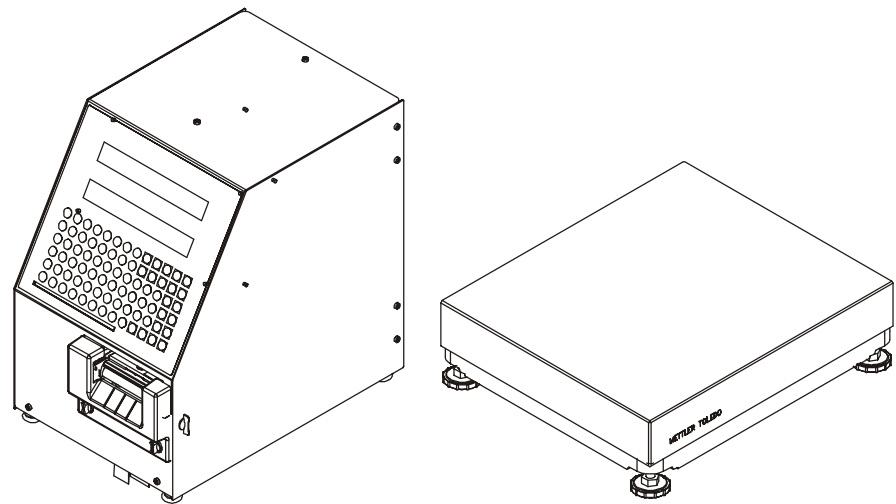


Figure 1-1: Model 355 and Optional Model 8270 Scale

### Power Up

The Model 355 is powered up using the Power switch on the front left side of the scale (H in Figure 1-2). Press the “-” to turn the scale on; the “o” is an off position.

Upon being powered up, the scale performs an initial test, then all segments of the display are tested. After a short period of time, the display shows the **READY** prompt. Should the scale not show a weight of 0.00, simply press the [ZERO] key. For the satellite models, the “Online” cursor will appear when master-satellite communications are established.

## Component and Control Locations

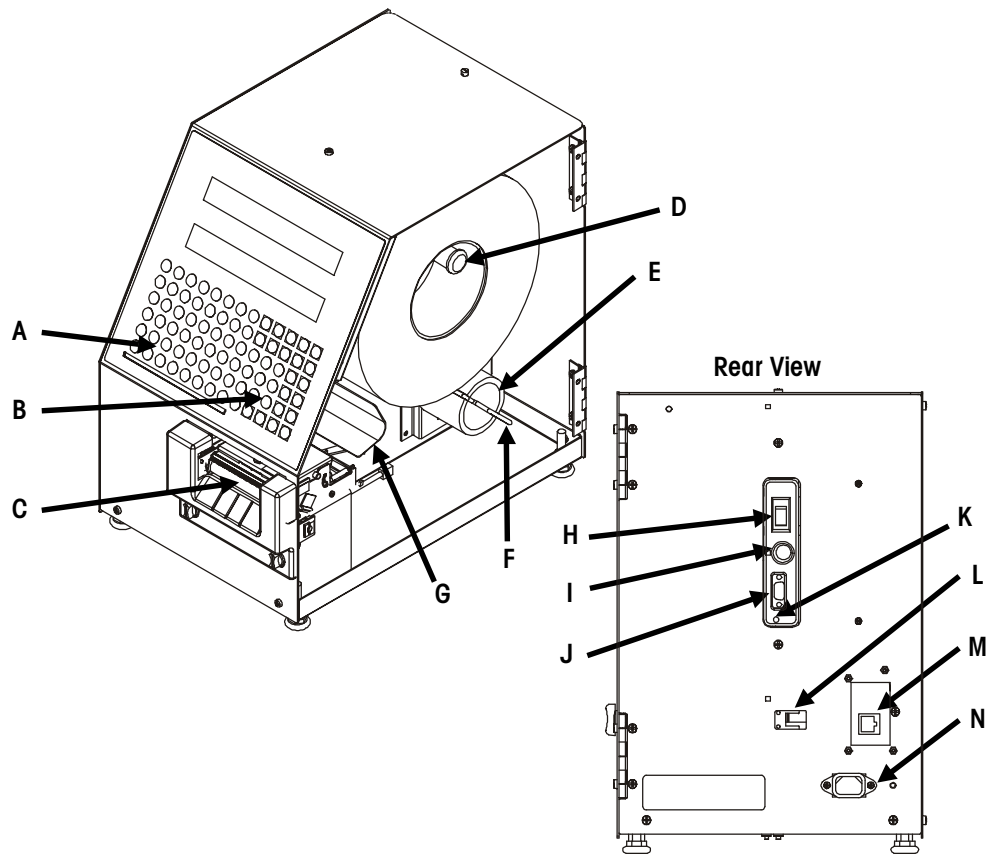


Figure 1-2: Model 355 Controls and Components

Ref	Description
A	Preset/Setup Keypad
B	Numeric Keypad
C	Printhead
D	Label Supply Spool
E	Liner Take Up Spool
F	Take Up Retainer Rod
G	Label Guide
H	Power Switch
I	Keyboard Jack
J	Host/Aux Port
K	Setup/CAL Button Access Hole
L	TNet Network connector
M	Scale Interface connector and/or Ethernet Jack
N	Power Cord Jack

## Displays

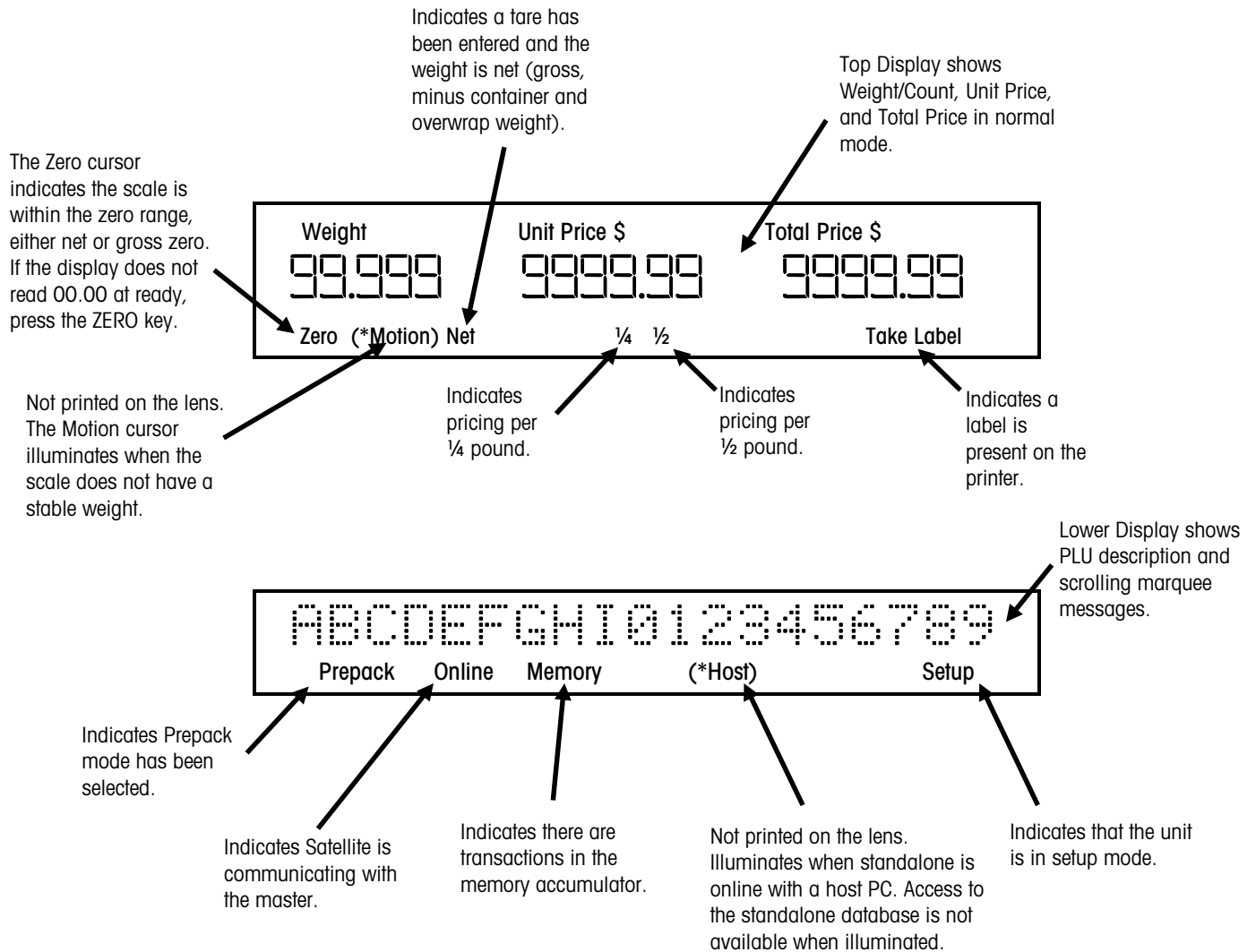


Figure 1-3: Display and Lens

# Keyboard

A 30-key basic keypad is used for operating the scale and a 48-key area is used for preset quick keys for fast PLU retrieval.

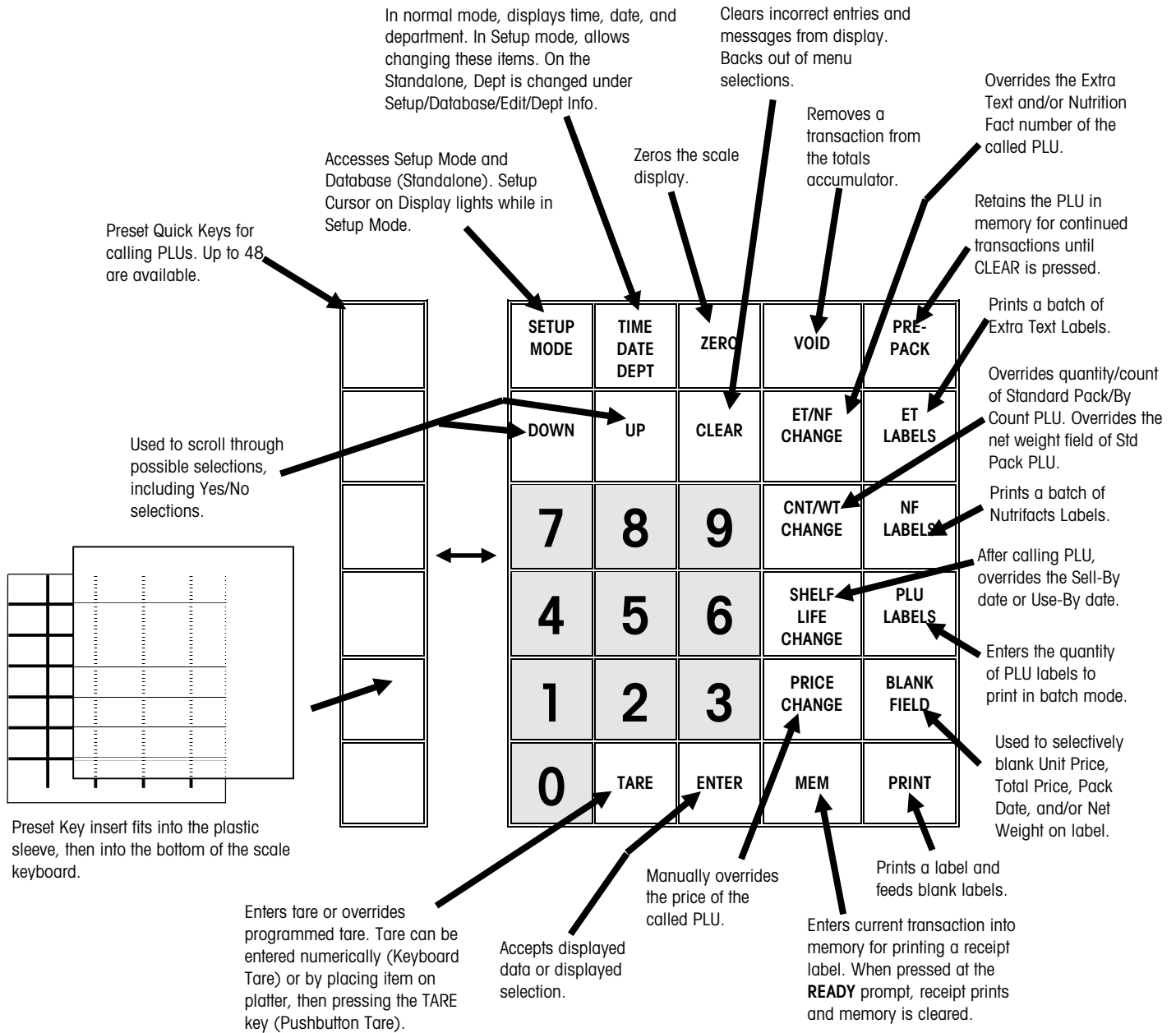
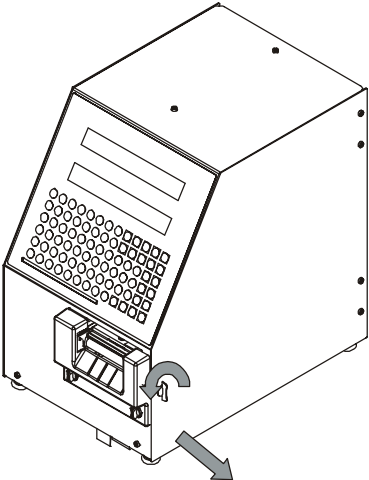


Figure 1-4: Keyboard Layout

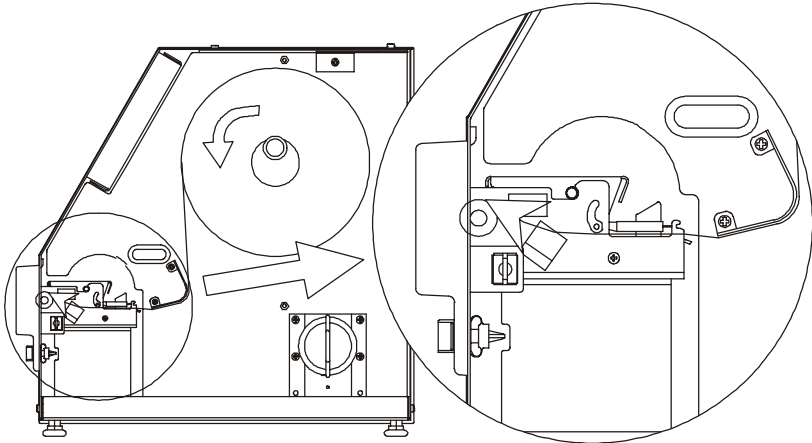
# 2

## Labels

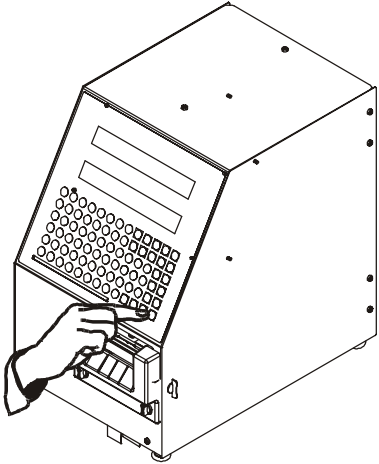
### Label Installation



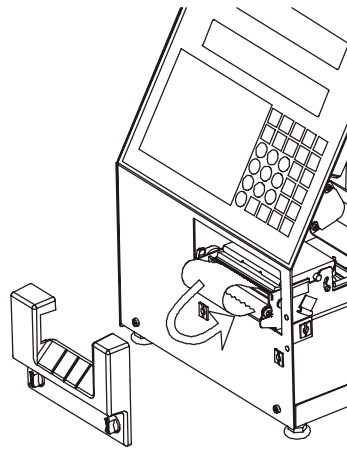
To install labels, first turn the latch and open the printer door.



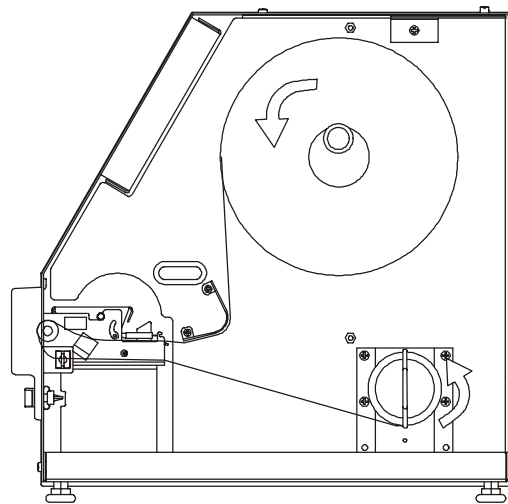
Install the labels using the threading diagram on the door or the illustrations following. Install the labels on the Supply Spool and into the Printhead until the labels stop.



Press the **Print** key to advance the labels until they come out the front of the Printer.



If the labels are to be setup for stripped operation, advance the labels for about 12 inches. Remove the front bezel from the Printer. Remove the labels from the liner, and then thread the liner back into the Printer as shown in Figure 2-4. Re-install the bezel.



Remove the retainer from the Takeup Spool and wind the liner around the spool one time. Install the retainer to hold the liner.

3 - Set the delivery mode (Stripped or Unstripped). Press LABEL FORMAT, then UP/DOWN to display selection. Press ENTER to accept.

2 - Then set label size. Use UP/DOWN keys to select the size, then press ENTER.

1 - Press SETUP MODE key

4 - Press CLEAR twice to return to READY.

145613000									
PLU PRESET	UNIT ID	RESET LABELS	LABEL FORMAT	LABEL SIZE	ENABLE MODIFY	VERIFY LABELS	PASS-WORDS		
PRESET REACT.	CAL	DEFAULTS	HOST	LABEL FORMAT	ENABLE FUNC.	EDIT	BEEPER		
ID PRESET	CURRENCY	RESET SIM UNIT		STRIP		QUICK CHANGE			
MARQUEE	PLU SETTING			GAP LENGTH		PRINT			
MARQUEE SPEED	BAR CODE SETTING			IMAGE OFFSET		CLEAR			
				EJECT LENGTH				TIME DATE FORMAT	

Setup Mode Overlay

SETUP MODE	TIME DATE DEPT	ZERO	OID	PRE-PACK
DOWN	UP	CLEAR	ETNF CHANGE	ET LABELS
7	8	9	CNT/WT CHANGE	NF LABELS
4	5	6	SHELF LIFE CHANGE	PLU LABELS
1	2	3	PRICE CHANGE	BLANK FIELD
0	RE	ENTER	MEM	PRINT

UP/DOWN keys

5 - Press PRINT to feed a label.

After the labels have been installed, press the SETUP MODE key (1). Using the Setup Mode Overlay, set the label size by the pressing LABEL SIZE key (2). Use the UP/DOWN keys to display the correct label size, then press the ENTER key.

Next, set the label delivery mode by pressing the LABEL FORMAT key (3). Press CLEAR (4) to return to Select Function display. Perform any additional setup, then press CLEAR again to return to Ready.

After setup is complete, press the PRINT key (5) before calling up a PLU and printing a label. The printer compares the actual label size with the programmed size. A LABEL SIZE ERROR occurs if they do not match.

# 3

## Unit Set Up

### Setup Overlay

Prompts that appear on the display will be shown here in **BOLD** type.

Unit Setup mode is used to configure functional options of the unit. During this mode, the "Setup" cursor will be lit on the lower display.

Before entering Setup Mode, remove the standard preset insert and install the Setup overlay in the slit below the preset keys. This overlay identifies which preset keys correspond with the functional options. The four keys in Italics are database setup functions only available in the Stand Alone unit and are discussed in Database Setup.

14551300A							
PLU PRESET	UNIT ID	RESET LABELS	LABEL PRINTER	LABEL SIZE	ENABLE MODIFY	VERIFY LABELS	PASS-WORDS
PRESET REACT.	CAL	DEFAULTS	HOST	LABEL FORMAT	ENABLE FUNC	<i>EDIT</i>	BEEPER
ID PRESET	CURRENCY	RESET RAM UNIT		STRIP		<i>QUICK CHANGE</i>	
MARQUEE	PLU SETTING			GAP LENGTH		<i>PRINT</i>	
MARQUEE SPEED	BAR CODE SETTING			IMAGE OFFSET		<i>CLEAR</i>	
				EJECT LENGTH			TIME DATE FORMAT

Figure 3-1: Setup Mode Overlay

## Programming with the Preset/Setup Keyboard

The Preset/Setup Keyboard can be used to program the descriptions, store address, etc., except Extra Text, which requires the external programming keyboard. The CLEAR key is used to move to the next line or save.

#	\$	%	(	)	-	+	=
[	]	/	\	,	.	O	P
Q	W	E	R	T	Y	U	I
A	S	D	F	G	H	J	K
Z	X	C	V	B	N	M	L
<Shift>	<Space>	~	<	>	*	→	←

Figure 3-2: Programming Keyboard Layout

## Enter Unit Setup

To enter the Unit Setup mode, press the SETUP MODE key. If a password has been set, key in the password, then press ENTER.

### Stand Alone Only

There will be 2 options upon pressing the SETUP MODE key. Pressing the DOWN or UP keys will scroll through the two options, **UNIT** and **DATABASE**. Press ENTER when **UNIT** displays to enter unit Setup Mode (enter the *unit setup* password if required). Separate passwords can be assigned to unit and database setup modes. The database setup mode is discussed in the following chapter. This chapter discusses the unit setup mode.

## Exit Unit Setup

To exit Setup Mode, press the CLEAR key to return to the first option in the current menu; press CLEAR again to return to the previous menu or the **SELECT FUNCTION** prompt. To exit Setup Mode, press CLEAR when the display shows **SELECT FUNCTION**. The display will then read **READY**, and the unit is ready for operation.



## Set the Time, Date, and Department

To change the Time, Date, or Department, press the [SETUP MODE] key and when prompted to **SELECT FUNCTION**, press the [TIME DATE DEPT] key. Press the DOWN/UP keys to toggle between **TIME**, **DATE**, and **DEPT**. When all the changes have been made, press [CLEAR] (two times) to return to **SELECT FUNCTION**.

---

### Date Change

After toggling to the **DATE** display, press ENTER. Key in the date in the format **MMDDYY**; press ENTER.

Then **DEPT** appears and using the DOWN/UP keys, you can toggle between **TIME**, **DATE**, and **DEPT**.

---

### Time Change

After toggling to the **TIME** display, press ENTER. Key in the time in the format **HHMM** on a 24 hour clock; press ENTER.

Then **DATE** appears, and using the DOWN/UP keys, you may toggle between **TIME**, **DATE**, and **DEPT**.

---

### Department Change

**Satellite and Client Only:** The department cannot be changed if the unit is off line. If the unit is online, the display will show **DOWNLOADING DEPT...** upon entering this mode.

The department setting of the unit determines the PLU's that are called from the master scale.

After toggling to the **DEPT** display, press ENTER. Press the DOWN and UP keys to move between available departments or key in the department number. When the desired department name or number is displayed, press ENTER.

Then **TIME** appears, and using the DOWN and UP keys, you can toggle between **TIME**, **DATE**, and **DEPT**.

---

## Time and Date Format

This function changes the format of the time and date as well as the symbol used in displaying the date.

In the set up mode and prompted to **SELECT FUNCTION**, press the TIME DATE FORM key on the Setup overlay. Press the DOWN and UP keys to toggle between **DATE** form, **TIME** form, and **DATE SEPARATOR**.

---

### Date Format

After toggling to the **DATE** display, press ENTER. Press the UP and DOWN keys to toggle between the possible date form selections of **YY/MM/DD**, **YY/MM/DD**, **MM/DD/YY**, or **DD/MM/YY**. When the preferred form is displayed, press ENTER.

**TIME** then appears, and using the DOWN and UP keys, you can toggle between **DATE** form, **TIME** form, and **DATE SEPARATOR**.

---

## Time Format

After toggling to the **TIME** form display, press ENTER. Press DOWN/UP to toggle between a 12-hour and a 24 hour clock. When the desired clock is displayed, press ENTER.

**DATE SEPARATOR** will then appear, and using the DOWN/UP keys, you can toggle between **DATE** form, **TIME** form, and **DATE SEPARATOR**.

---

## Date Separator

After toggling to the **DATE SEPARATOR** display, press ENTER. Press the DOWN/UP keys to toggle between a comma (,), dash (-), and slash (/). When the preferred date separator is displayed, press ENTER.

**DATE** will then appear, and using the DOWN/UP keys, you can toggle between **DATE** form, **TIME** form, and **DATE SEPARATOR**.

---

## PLU Preset

Forty-eight (48) keys are provided for use as PLU Preset keys used for one key call up of PLU records. Several paper overlays and a clear plastic envelope are provided to label and protect the preset keys. Templates are available.

---

## Programming a Preset Key

To assign a PLU to a Preset Key, enter the Setup mode and when prompted to **SELECT FUNCTION**, press the PLU PRESET key on the Setup Overlay. You are prompted to **PRESS PRESET KEY**. Press the preset key you would like to use and the prompt **PLU** is then displayed. Key in the PLU number, then press ENTER.

**PRESS PRESET KEY** is displayed again prompting you to program another preset key. This message will appear each time you complete entering a preset number. To exit from this mode, press CLEAR to return to the **SELECT FUNCTION** display.

---

## Preset Reaction

When **PRINT** is selected, this eliminates keystrokes, however, the operator may not use the override functions for PLU's retrieved using the preset keys.

The way a preset key functions can be selected using Preset Reaction. To change the preset key reaction, while in Setup mode and prompted to **SELECT FUNCTION**, press the PRESET REACT key on the Setup overlay. Use the DOWN/UP keys to toggle between **PRINT** and **ENTER**. If the **PRINT** option is selected, the unit will automatically print a label after a preset key is pressed. When the **ENTER** option is selected, the unit will wait until the operator presses PRINT to print a label. When using By-Weight PLUs, a label will not print until a weight is on the scale even if the PRESET REACT is set to **PRINT** (with optional scale).

## Marquee

The Marquee will not function if scale is off line.

A marquee is an Action message that scrolls across the display if there is no activity for about five seconds and no PLU is displayed. The marquee texts are programmed at the master, while the marquees in the standalone are programmed in the EDIT function. You may choose up to ten Marquee messages, numbered 0 through 9 that will sequentially scroll across the display.

---

## Selecting Messages

When in the Unit Setup mode and prompted to **SELECT FUNCTION**, press MARQUEE on the Setup overlay. You may select up to ten (0-9) action codes to scroll across the screen. Use the DOWN/UP keys to toggle between these.

To select a marquee, toggle to the marquee number you wish to change and press ENTER. Key in the desired Action code number (or "0" for no marquee), then press ENTER.

You may now change more marquees, or press CLEAR two times to finish. The marquee messages will then scroll across the display in their respective numbered order when the scale is idle.

---

## Changing the Speed

In the set up mode and prompted to **SELECT FUNCTION**, press the MARQUEE SPEED key on the Setup overlay. Key in a digit, 0 through 9 with 0 corresponding to the slowest speed and 9 corresponding to the fastest speed. Press ENTER to accept this value.

---

## Label Format

The label formats are entered using the first nine options from the LABEL FORMAT menu. The last eight options are label specifications. Complete label setups can be programmed using the LABEL SIZE key. If a single label specification needs to be changed, this can be done quickly using the single specification keys on the Setup overlay; these keys are STRIP, GAP LENGTH, IMAGE OFFSET, and EJECT LENGTH on the Setup overlay.

---

## Label Format Key

First set the label size, then select the label format. Only change the label specifications if you are familiar with these functions. If not, contact your service department. The scale will auto-measure two labels if necessary. To set the label size see the MEASURE LABEL prompt under the LABEL FORMATS key or the LABEL SIZE key.

Note: Refer to Chapter 7 for Label Format Codes. Refer to the Model 8450 Service Manual, P/N A14715500A for illustrations of the label formats.

### Label Formats

The following label formats are available for each of the following label types:

Satellite: By Weight, Prepack, By Count, Standard Pack, Receipt, Verification, Run Total, Nutrition Facts (second label), and Extra Text.

Stand Alone: By Weight, Prepack, By Count, Standard Pack, Receipt, Verification, Run Total, Report Totals, Nutrition Facts (second label), Extra Text and Graphics.

There are several default label formats for each label size. Chapter 7 contains a list of each of the label formats and their corresponding numbers. Custom label formats may be created using a Model 8461 and DATABACK software.

To specify a format for a particular label type, when prompted to **SELECT FUNCTION**, press LABEL FORMAT on the Setup overlay. Using the DOWN and UP keys, you can toggle between several options. The first nine options for Satellite and the first 11 options for Stand Alone are label types. When the label type you wish to change is displayed, press ENTER. Key in the desired format number and press ENTER.

## Label Specifications

Toggle through the Label Format menu until you get to the following label specification options: **LABEL LENGTH**, **GAP LENGTH**, **DELIVERY**, **LABEL TYPE (CONTINUOUS OR DIE CUT)**, **MEASURE LABEL**, **EJECT LENGTH**, **LABEL WIDTH**, and **IMAGE OFFSET**. Each of the specifications are explained below.

### LABEL LENGTH

This function is used to select the default label length.

When **LABEL LENGTH** appears on the screen, press ENTER. Key in your label length (mm), press ENTER. Standard lengths are listed below.

- 40.0 mm (= 1.5 in)
- 48.3 mm (= 1.9 in)
- 53.3 mm (= 2.1 in)
- 61.0 mm (= 2.4 in)
- 83.8 mm (= 3.3 in)
- 94.0 mm (= 3.7 in)
- 106.7 mm (= 4.2 in)
- 119.4 mm (=4.7 in)
- 129.5 mm (= 5.1 in)

Continuous label stock can be selected using the [LABEL SIZE] key, see Quick Label Specification Keys.

### GAP LENGTH

The gap length of the label (mm) can be adjusted to compensate for variances in different label suppliers. To change the gap length, use the DOWN/UP keys until **GAP LENGTH** appears on the display. Press ENTER. Key in the desired gap length (mm), press ENTER. (Normal gap length for METTLER TOLEDO specified labels is 3.2 mm).

### DELIVERY

This function is used to select the delivery mode of the label printer. Stripped will deliver the label to the operator without the label backing. Unstripped will deliver the label to the operator on the label backing. Unstripped mode also turns the label taken sensor off allowing you to print another label before the first is removed from the printer.

Use the DOWN/UP keys until **DELIVERY** appears on the display. Press ENTER. Use DOWN/UP to select either **STRIPPED** or **UNSTRIPPED**. When the desired delivery mode is displayed, press ENTER.

### LABEL TYPE

This selection is used to enter in the type of labels being used, either continuous or die cut labels. To change this entry, press ENTER when **LABEL TYPE** is displayed. Use the DOWN/UP keys to toggle between **DIE CUT** and **CONTINUOUS**. When the correct label type is displayed, press ENTER.

### MEASURE LABEL

To measure the current label and gap length, toggle to **MEASURE LABEL** and press ENTER. Two labels will be ejected. The measured values will be set as the **LABEL LENGTH** and **GAP LENGTH**, replacing the current settings, however these values will not appear in the setup menu until setup is exited and re-entered.

### EJECT LENGTH

The Eject Length is the distance the label is ejected out beyond the print head. The default value is 5.5 mm. If this value is set higher, the labels will eject further, and if in stripped mode, the labels may even fall completely off the stripper bar. If this value is set too high, printing in this region may be lost or printed on the bottom of the next label.

If Eject Length value is set too low, too much of the die cut label may remain on the stripper bar, and it may be difficult to peel off the label.

To change this value, when **EJECT LENGTH** is displayed, press ENTER. Key in the value (mm) then press ENTER.

### LABEL WIDTH

This function is used to select the default label width. Increasing the width will shift text to the left of the label. Decreasing the width will shift text to the right of the label.

To change this setting, press ENTER when **LABEL WIDTH** appears on the display. Key in the new width (mm) and press ENTER.

### IMAGE OFFSET

The image offset adjustment (mm) is used to offset the printed image on the labels. The default is 5.2 mm. To raise the image on a label, lower the Image Offset value. To lower the image on a label, increase the Image Offset value.

To change the Image Offset value, press ENTER when **IMAGE OFFSET** is displayed; key in the desired value (mm); press ENTER.

---

## Label Size Key

### Label Size

The LABEL SIZE key is used to change the default label size. Along with the size being changed, all the settings associated with that size under the LABEL FORMAT key are changed also. Any changes you make under the LABEL FORMAT key will be retained with the current size selected under the LABEL SIZE key. For example, if you are on 48.3 mm in the LABEL SIZE menu and change the By Weight Format to number 99 and eject length to 3.0, whenever you return to label size 48.3 mm the By Weight Format is 99 and eject length is 3.0.

When in the Unit Setup mode and prompted to **SELECT FUNCTION**, press the LABEL SIZE key on the Setup overlay.

Using the DOWN/UP keys, you may choose between the following selections. Press ENTER on your selection.

- 48.3 mm (= 1.9 in)
- 53.3 mm (= 2.1 in)
- 61.0 mm (= 2.4 in)
- 83.8 mm (= 3.3 in)
- 94.0 mm (= 3.7 in)
- 106.7 mm (= 4.2 in)
- 119.4 mm (=4.7 in)
- 129.5 mm (= 5.1 in)

**CONT** (Roll Stock)

## Quick Label Specification Keys

These keys allow you to go quickly to a label specification without toggling through the **LABEL FORMAT** menu.

### Label Size

The LABEL SIZE key is used to quickly change the default label size.

When in the Unit Setup mode and prompted to **SELECT FUNCTION**, press the LABEL SIZE key on the Setup overlay.

Using the DOWN/UP keys, you may choose between the following selections.

- 48.3 mm (= 1.9 in)
- 53.3 mm (= 2.1 in)
- 61.0 mm (= 2.4 in)
- 83.8 mm (= 3.3 in)
- 94.0 mm (= 3.7 in)
- 106.7 mm (= 4.2 in)
- 119.4 mm (= 4.7 in)
- 129.5 mm (= 5.1 in)
- **CONT** (Roll Stock)

After toggling to the correct label size, press ENTER.

### Label Delivery

The STRIP key is used to quickly change the delivery mode of the label printer; Stripped will deliver the label to the operator without the label backing. Unstripped will deliver the label to the operator with the label backing.

In the Setup mode and prompted to **SELECT FUNCTION**, press STRIP on the Setup overlay. Press the DOWN/UP key to toggle between **STRIPPED** and **UNSTRIPPED**. When the desired delivery mode is selected, press ENTER.

### Gap Length

The gap length is the distance (mm) between die cut labels. This length can be adjusted to compensate for variances in different label suppliers. The gap length may be changed in the Setup mode. When prompted to **SELECT FUNCTION**, press GAP LENGTH on the Setup overlay. Key in the desired gap length (mm), press ENTER. (Normal gap length for METTLER TOLEDO specified labels is 3.2 mm).

### Image Offset

The Image Offset (mm) is used to offset the printed image on the labels. The default is 5.2 mm. To raise the image on a label, lower the Image Offset value. To lower the image on a label, increase the Image Offset value.

To change this value, go to the Setup mode and when prompted to **SELECT FUNCTION**, press the IMAGE OFFSET key on the Setup overlay. Key in the desired value (mm), press ENTER.

### Eject Length

The default Eject Length value is 5.5 mm. If this value is set higher, the labels will eject further, and if in stripped mode, the labels may even fall completely off the stripper bar. If this value is set too high, printing in this region may be lost or printed on the bottom of the next label.

In addition to changing the label delivery softswitch, a different label installation procedure is required for stripped and unstripped delivery, see chapter 2.

If the Eject Length value is set too low, too much of the label may remain on the stripper bar, and it may be difficult to peel off the label.

To change this value, go to Setup mode and when prompted to **SELECT FUNCTION**, press the EJECT LENGTH key on the Setup overlay. Key in the new value (mm) and press ENTER.

---

## Enable Modify Functions

The ENABLE MODIFY setup key controls whether the operator may or may not modify the following values during a transaction: shelf life, use by date, net weight, price, quantity/count, or extra text/nutrition fact number.

To change these settings, enter the Unit Setup mode, and when prompted to **SELECT FUNCTION**, press the ENABLE MODIFY key on the Setup overlay.

You are now able to toggle between the following: **SHELF LIFE**, **USE BY** (use by date), **NET WEIGHT**, **PRICE**, **QTY/COUNT**, and **EX/NF#** (Extra Text/Nutrition Fact Number). **YES** allows the operator to override the programmed value; **NO** does not allow the operator to override the programmed value.

When the field you wish to change appears on the display, press ENTER. Press the [DOWN] key to toggle between **YES** and **NO**. When the desired appears on the display, press ENTER. You may now continue with more fields. When completed, press CLEAR to escape.

---

## Verify Labels

This function allows the user to print out labels of all (or selected) PLU's in a particular department. The format of these labels is determined in the LABEL FORMAT Setup.

When prompted to **SELECT FUNCTION**, press the VERIFY LABELS key on the Setup overlay.

### Stand Alone Only

In the Stand Alone model, a list of which type of labels can be verified will be presented. This includes **PLU/ITEM**, **EXTRA TEXT**, **NUTRIFACT**, and **GRAPHIC**. Toggle through the options with the DOWN/UP keys and select one by pressing ENTER. The format of these labels is determined in the LABEL FORMAT setup. No department needs to be specified when verifying Extra Text, Nutrifacts or Graphics since they are not associated with any department but are available to all departments. Follow the directions below to print verification labels.

Key in the department number. Press ENTER. Key in the number of the first PLU you would like printed (default is 1). Press ENTER. Key in the number of the last PLU you would like printed (default is 999999). Press ENTER. You will then be asked if you want to start printing. Press ENTER to begin printing. Press CLEAR to cancel.

In the Satellite/Client version, if the unit is off line, the back-up PLU's will be printed. If the unit is on line, the PLU's from the master database will be printed.

## Programming Unit Password

When prompted to **SELECT FUNCTION**, press the **PASSWORDS** key on the Setup overlay. The existing unit password will be displayed. To change the password, key in the new password, a number between 1 and 9999. If no password is desired, key in 0, then press **ENTER**.

This password is different from the Stand Alone model's Database Setup password. If you are in database setup, the **PASSWORDS** key functions in the same manner but programs a password for entering Database Setup.



# 4 Operation

## Basic Functions

### Zero (With optional scale)

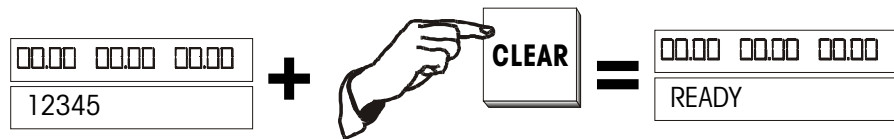
If the Model 355 is connected to a scale base, and the weight is not zero, press the ZERO key.



### Clear

To clear an incorrect entry or to clear a PLU and return to the READY prompt, press the CLEAR key.

#### Manual Clear

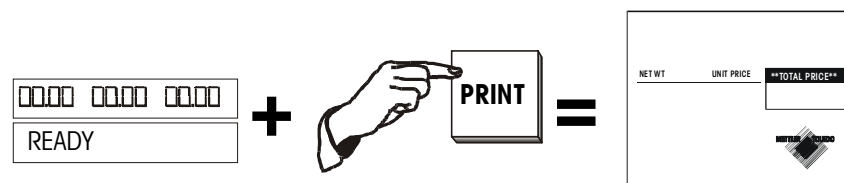


#### Automatic Clear

In the Service Mode, after a label is printed for a By Weight PLU, and the item is removed from the platter, the display will automatically clear the PLU and return to the **READY** prompt.

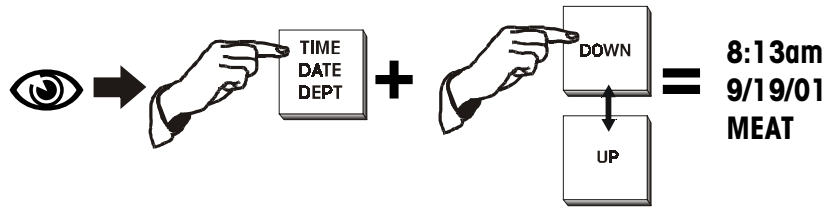
### Label Feed

To feed a blank label:

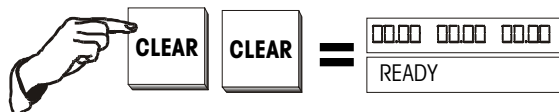
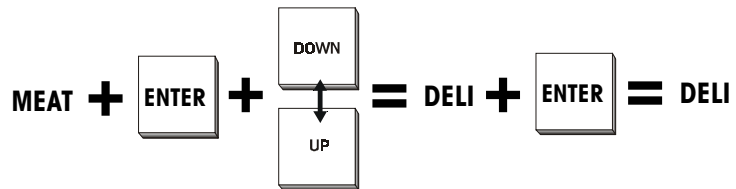
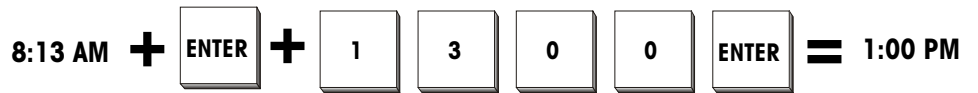
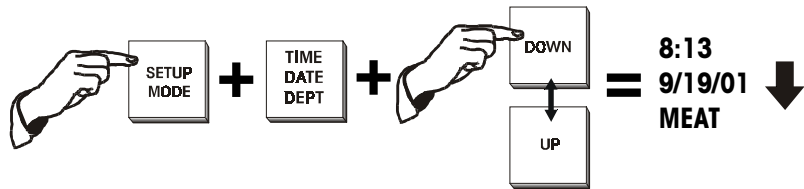


## Time, Date, Department

### View Only



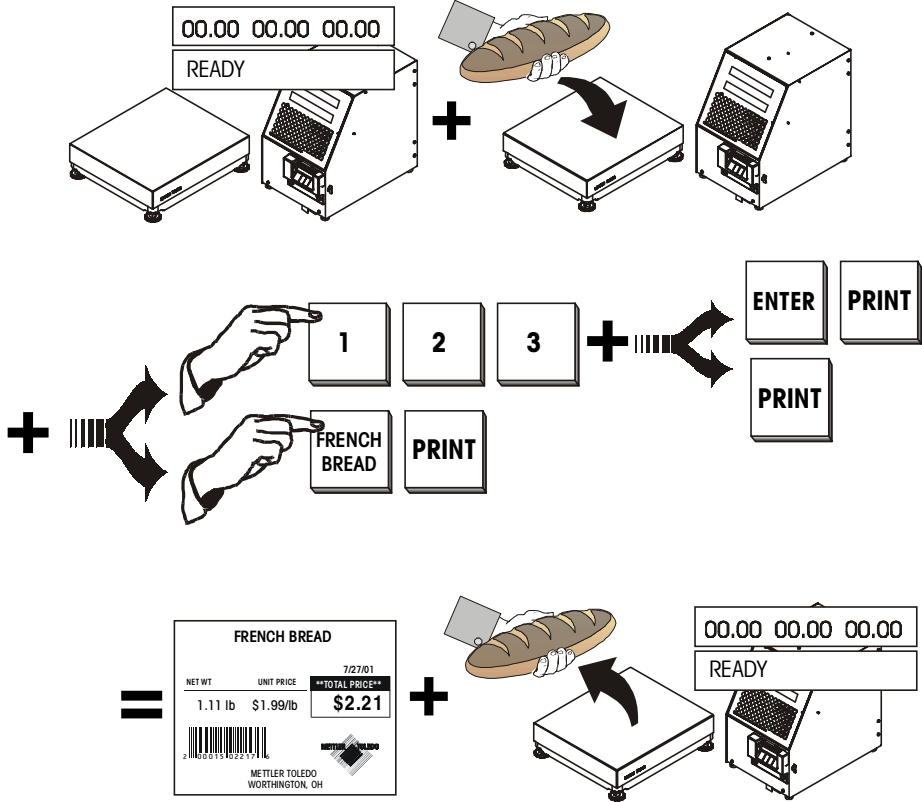
### Change



# Calling a PLU and Printing Labels

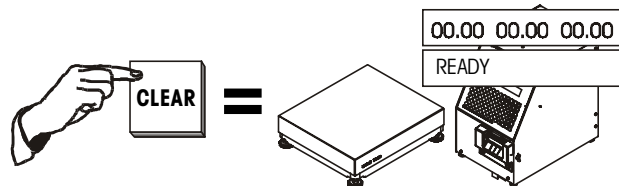
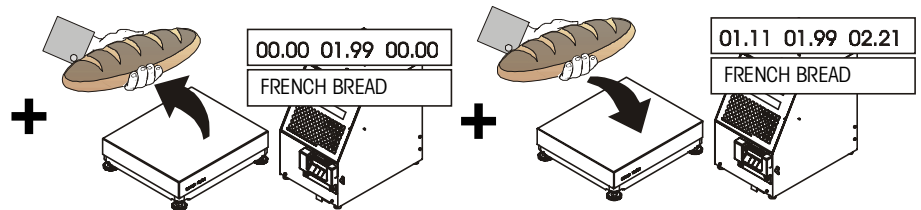
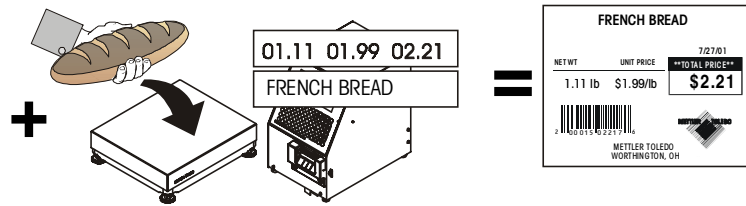
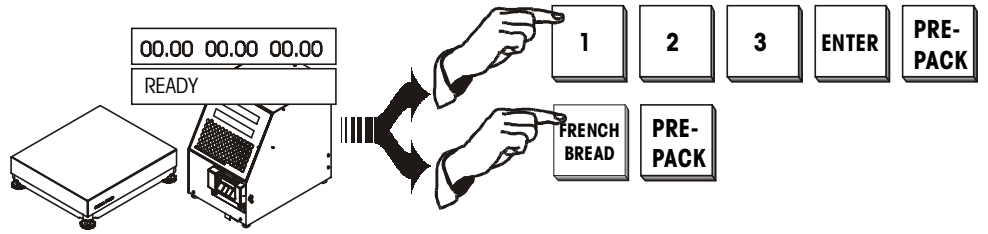
## By-Weight PLU Service Mode (with optional scale)

To print a single By-Weight label, follow this procedure. If the READY prompt is not displayed, press the CLEAR key before starting.



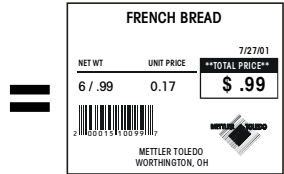
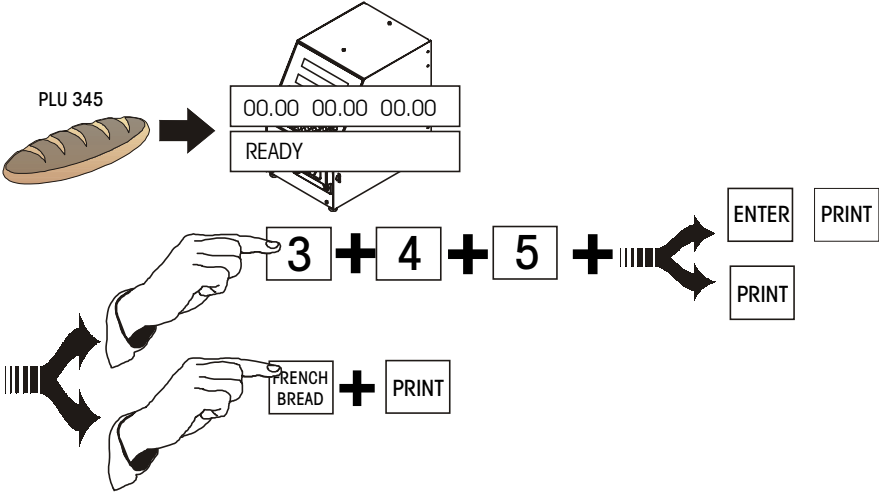
### By-Weight PLU Prepack Mode (with optional scale)

To print a run of labels (multiple labels of the same PLU number), use the Prepack Mode. Prepack mode retains the PLU in memory until you press the CLEAR key to end the run. If the READY prompt is not displayed, press the CLEAR key before starting.



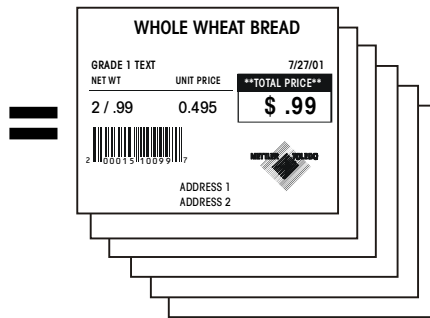
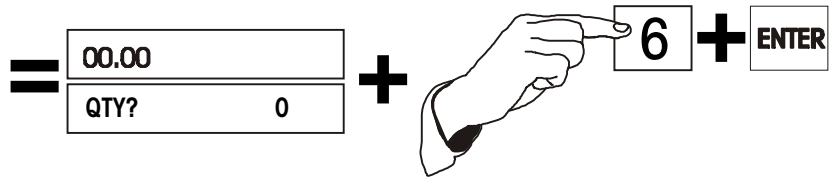
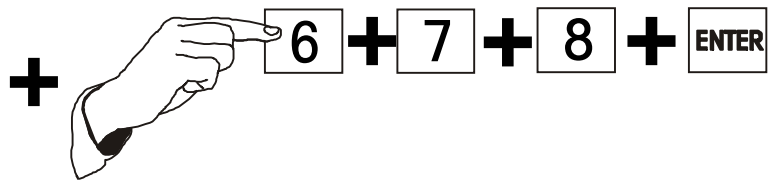
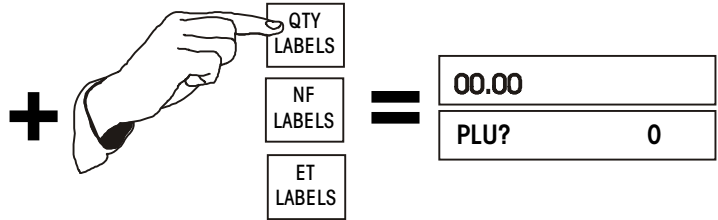
**By-Count and Standard Pack (Single Label)**

To print a single By-Count or Standard Pack label, follow this procedure. If the READY prompt is not displayed, press the CLEAR key before starting.



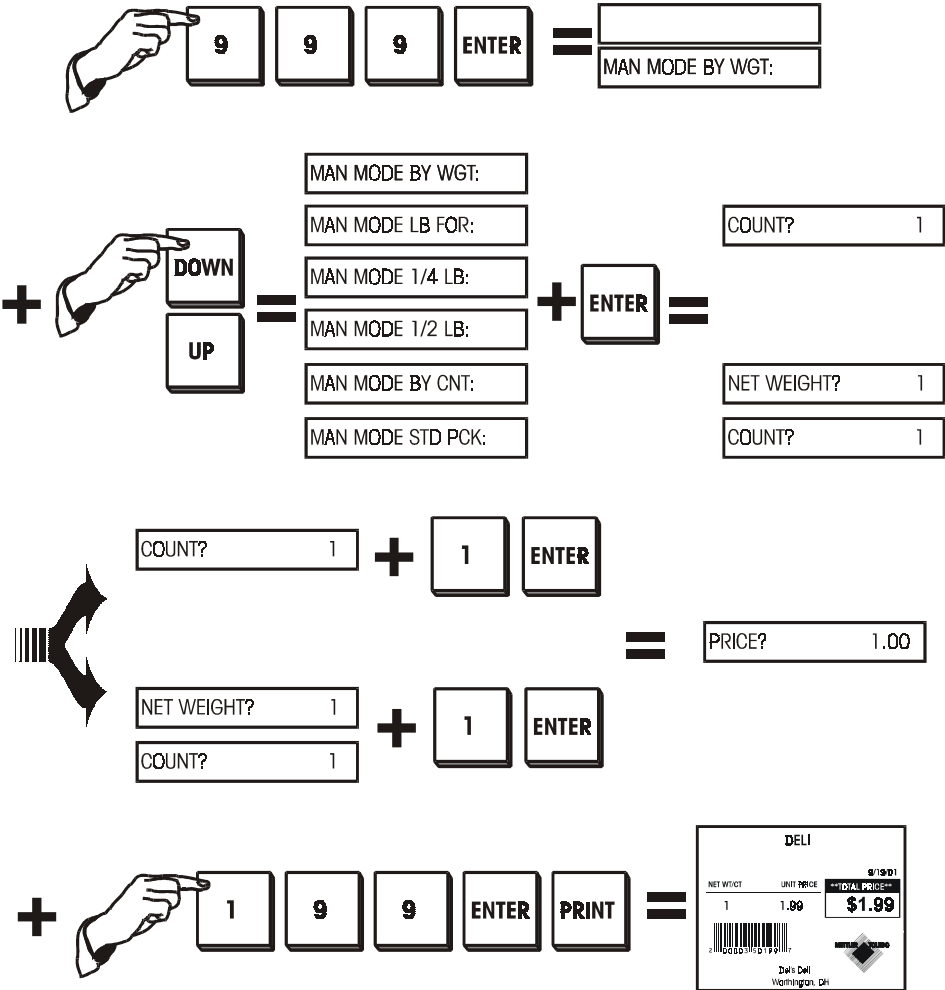
### Batch Printing (By-Count and Standard Pack Only)

To print a certain quantity of By-Count or Standard Pack Labels:



**Manual Mode PLU Label Printing**

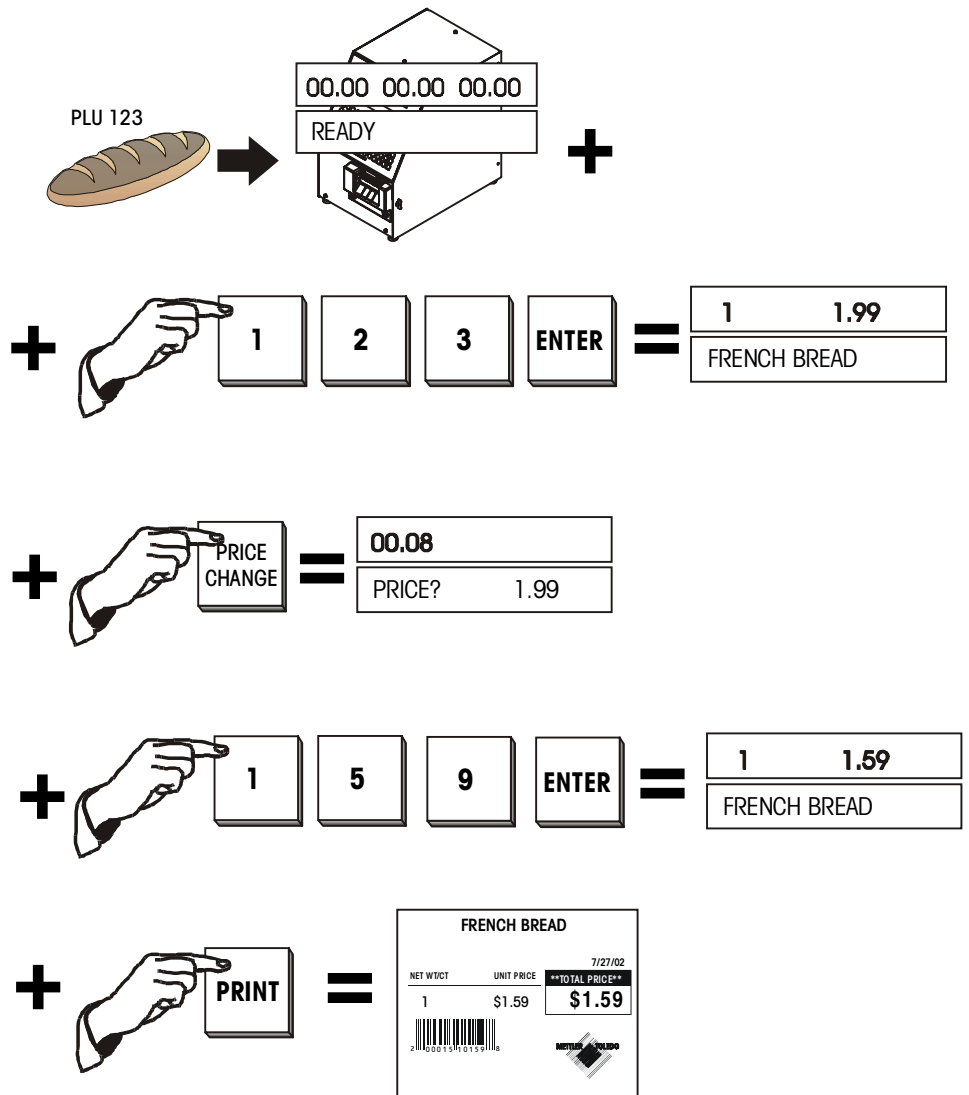
If a PLU number is not available, a temporary pricing mode is available, as follows.



### Manual Override

For a **temporary** price change, press the PRICE CHANGE key after entering the PLU number. For a temporary override of other values, press the appropriate key (if not disabled in setup mode). This does not change any data in the PLU record stored in the PLU database. The next time the PLU is called, the original values are used.

<b>ET/NF CHANGE</b>	Extra Text or Nutrition Facts
<b>CT/WT CHANGE</b>	Change the Count on a By-Count PLU, or the Net Weight on a Standard Pack label
<b>SHELF LIFE CHANGE</b>	Change the number of days in the Shelf Life field.
<b>PRICE CHANGE</b>	Change the Price for the PLU.





---

## Tare (with Optional Scale)

### PLU Stored Tare

A tare may be stored with a PLU. In this case, when the PLU is called and no weight is on the platter, the weight display will show a negative number (the tare weight) and a cursor will appear over Net.

### Proportional Tare

Proportional tares may be used when supported by the master scale and the PLU is programmed for a proportional tare. This calculation is done automatically by the scale.

### Forced Tare

Some items will *require* the operator to enter a tare to complete a transaction. This is called a "forced tare."

Select the PLU.

The bottom display will show **TARE**. You can either key in the tare and press ENTER, or place the tare on the platter and press ENTER. If no tare is desired, press TARE, then ENTER, then place the item on the platter.

### Pushbutton Tare

A tare can be manually entered by the following procedure using the TARE button.

Select the PLU (either by entering the number or pressing the preset key).

Press the TARE key.

Place the container on the platter and press TARE.

### Keyboard Tare

Select the PLU (either by entering the number or pressing the preset key).

Press the TARE key.

Key in the tare weight. Press ENTER.

Place the item on platter.

If the Canadian Tare is set to YES in the Calibration Settings then the platter must be empty when keying in the tare, and you cannot clear the Tare by entering 0.00.

## Memory Mode

The MEM key can act as an ENTER/MEM key. To eliminate keystrokes, press MEM after keying in the PLU to immediately enter the transaction into the scale's memory.

If Continuous stock is used the label shows a line of description and the price information for up to 15 items.

When enabled, the Memory mode feature is an alternative to printing individual labels and allows accumulating multiple items for a customer. A receipt label can be printed showing the grand total and a department bar code.

Call the PLU, and place the item on the scale.

Press the MEM key to enter the current transaction into memory. The cursor over "Memory" on the Display tower will light.

Remove the item from the platter and repeat for the desired number of transactions, pressing the MEM key after each transaction.

When all items are entered for a particular customer, clear the platter and press the MEM key.

You will be prompted to print the total. Press the ENTER key to print the accumulated total price.

You are then asked **PRINT OK?** If the printing was successful, press the DOWN key to answer **YES**, then press the ENTER KEY. The memory is now cleared and the cursor over "Memory" will turn off.

If the printing was not okay, or you do not want to clear the memory, press the DOWN key until **NO** appears, then press ENTER. You may then either print again or add additional transactions to the accumulator.

At the initial **PRINT?** prompt after pressing MEM with an empty platter, you can scroll with the UP and DOWN keys to **CANCEL?** or **CONTINUE?.** At the **CANCEL?** prompt, pressing ENTER will bring up the **CLEAR MEMORY? NO** prompt. Toggle between **YES** and **NO** here to clear the memory. At the **CONTINUE?** prompt, pressing ENTER will retain the current memory as is so that more items can be added.

---

## Void

The last ten transactions can be voided from the totals accumulators using this function.

Press the VOID key and use the DOWN and UP keys to display previous transactions.

The transactions will be displayed as follows: the top display will show the number of transactions/labels printed, item number, and total price.

The lower display will show the product description and whether it has been voided or not (Y/N). When the transaction you wish to void is displayed, press ENTER.

The display will ask if you want to void the transaction. Use the DOWN key to change your response to **Y**, then press the ENTER KEY.

You may either continue to void other transactions or press CLEAR to return to the **READY** prompt.

## Manual Override Functions

---

Certain information can be overridden after the PLU has been called. These changes are temporary and last only for a single transaction or a single "run" in Prepack mode. Some or all of these overrides may be disabled through Unit Setup.

### Tare Override

When the unit setup allows for programmed tares to be overridden, the desired tare can be entered as if there were no preprogrammed tare.

#### Keypad Tare

Call the PLU. If a tare is programmed in the PLU the Weight display will show the tare as a negative number and the "Net" cursor will light.

Press TARE.

Enter in the desired tare weight, then press ENTER.

#### Pushbutton Tare

Call the PLU.

Press TARE.

Place the container on the platter, then press TARE.

Place the item on the platter.

### Price Override

When allowed by the unit set up, prices may be overridden by the operator with either of the following procedures:

Place the item on the platter.

Select the PLU.

Key in the new price, and press ENTER.

or

Call the PLU.

Press PRICE CHANGE.

Key in the new price. Press ENTER.

Place the item on the platter.

## ET, NF Record Override

Extra Text and Nutrition Facts records are linked to a PLU using Extra text and Nutrition Fact record numbers programmed into the PLU record in the master database. These Record numbers can be overridden using the ET/NF CHANGE key.

### Extra Text Change

When allowed by the unit set up, the Extra Text for a single transaction or Prepack "run" may be changed.

Call the PLU.

Press the ET/NF CHANGE key.

Using the DOWN and UP keys, you will be able to toggle between **ET** (Extra Text) and **NF** (Nutrition Facts). When **ET** is displayed, press ENTER.

The current Extra Text number will be displayed. Key in the new Extra Text number, then press ENTER.

Place the item on the platter (if By Weight item).

Press PRINT to print the label (if in Service mode).

### Nutrition Fact Change

When allowed by the unit set up, the Nutrition Facts may be changed.

Call the PLU.

Press the ET/NF CHANGE key.

Using the DOWN and UP keys, you will be able to toggle between **ET** (Extra Text) and **NF** (Nutrition Facts). When **NF** is displayed, press ENTER.

The current Nutrition Fact number will be displayed. Key in the new Nutrition Fact number, then press ENTER.

Place the item on the platter (if By Weight item).

Press PRINT to print the label (if in Service mode).

---

## Net Weight, Count Override

### Standard Pack Weight/Count Change

For Standard Pack items, the count and/or the Net weight may be changed. When the count is changed a new total price and net weight will be calculated from the unit price and new count value. When the Net weight is changed, the total price does not change, however a new unit price is calculated from the total price and new Net weight.

To change the quantity or weight of the item, press the CNT/WT CHANGE key.

Use the DOWN and UP keys to toggle between **QTY** (quantity, count) and **WEIGHT**.

To change the quantity of the pack, press ENTER when **QTY** is displayed. Key in the new quantity, then press ENTER.

To change the total weight, press ENTER when **WEIGHT** is displayed.

Key in the new weight (in ounces), then press ENTER.

Press CLEAR to return to the Item Description display.

Press PRINT to print a label.

### By Count Change

For products that are priced By Count (e.g., 10 biscuits for \$5.00), the count (10 biscuits) may be changed; a new price will then be calculated (e.g., 5 biscuits would be \$2.50).

Retrieve the PLU. Press the CNT/WT CHANGE key.

The current quantity will be displayed and you will be prompted to enter the new quantity. Key in the new quantity; press ENTER.

The new quantity and the adjusted price will appear on the display and will also be printed on the label.

Press PRINT to print a label.

---

## Shelf Life Override

After calling up the PLU, press the SHELF LIFE CHANGE key.

You are prompted to enter the new Sell By date. Depending on the unit setup, you will enter in the new date one of two ways: if your display reads **ENTER DAYS**, enter the number of days *until* the desired Sell By date. If the display reads **ENTER DATE**, enter the date of the desired Sell By date in the format of MMDDYY, then press ENTER.

Place the item on the platter (if By Weight item).

Press PRINT to print the label (if in Service mode).

---

## Blank Label Fields

When allowed by the unit setup, certain fields on the labels may be temporarily blanked out. Select the PLU. Press the BLANK FIELD key.

Use the DOWN and UP keys to toggle between **BLANK PACK DATE**, **BLANK NET WEIGHT**, **BLANK UNIT PRICE**, **BLANK TOTAL PRICE**, **BLANK SHELF LIFE**, **BLANK USE BY** (date).

When you have the field you would like to blank out displayed, press ENTER.

The display will ask you if you want the field blanked. Press the DOWN and UP keys to change the answers to **YES**, then press the ENTER KEY.

You may continue to blank other fields or press CLEAR two times when you are done.

Place the item on the platter (if By-Weight item).

Press PRINT to print the label (if in Service mode).

## Master Off Line

Not Applicable to StandAlone model.

The satellite does not store the PLU accumulators for later transmission to the master during off line operation.

During normal operation, the satellite/client relies on the master (**SmartTouch**<sup>®</sup> Master or Scale Server) to supply PLU files and record the PLU accumulators after a transaction. When PLU's are retrieved from the master, the satellite/client scale makes a backup record of the PLU information.

If the master is turned off, or the connecting cables to the master are disconnected or broken the unit will be off line.

When the master is off line and a PLU is called, the display shows **SEARCHING...** for a few seconds, the Online cursor is removed, and the unit searches its backup files for the PLU record.

If a PLU is called and no backup file exists, the unit will default to "manual PLU." The PLU is then treated as a "Manual PLU."

The display will show **MANUAL MODE BY WGT**. Use the DOWN and UP keys to select between **BY WEIGHT**, **LB FOR**, **¼ LB**, **½ LB**, **BY COUNT**, or **STD PACK** pricing. Place the item on the platter. (For Standard Pack items, the weight must first be entered, in ounces, then press ENTER). Key in the price, then press ENTER.

To print a label, press PRINT. A label will be printed with the department name in the product description field and department UPC in the Item number field of the bar code.

# 5

## Standalone Database Functions

### General Description

The standalone version stores and maintains a database of PLU information, extra text, nutrifacts, and graphics. It is available with 256K, 512K or 1M capacity memory. The following table details the amount of records each size of memory can hold.

	PLUs (223 bytes each)	ET Records (540 bytes each)	NF Records (383 bytes each)
<b>1 Meg</b>	4600	0	0
	1350	1350	0
	900	900	900
	1700	0	1700
<b>512K</b>	2300	0	0
	675	675	0
	450	450	450
	850	0	850
<b>256K</b>	1150	0	0
	335	335	0
	225	225	225
	425	0	425
<b>ET recs + NF Recs + Graphic Recs = 7280 Max</b>			

**Table 4-1: Approximate Memory Capacities**

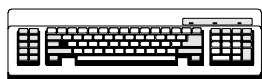
More than one department of information can be stored in memory but only the current department's information can be accessed at a time. For example, if department 1 is the current department, only PLUs entered in department 1 will be accessible. The department can be changed in either the Unit Setup Mode or in the Database Setup Mode.

## Standalone Database Functions

The following is an overview of the database setup structure, with the first row showing the major headings. The columns below each heading show specific commands available under that function. The UP/DOWN key scrolls through the selections. The ENTER key allows changes to the selected function.

EDIT	QUICK	PRINT	CLEAR
PLU	PRICE	PLU TOTALS	CLEAR PLU/ITEM
ET	TARE 1	GROUP TOTALS	CLEAR ET
NF	ET #	HOURLY TOTAL	CLEAR NF
ACTION CODE	NF #	GRAND TOTALS	CLEAR GR
GRADE	SHELF LIFE	MEM AVAILABLE	CLEAR PLU/ITEM TOTALS
GROUP	USE BY		CLEAR GROUP TOTALS
DEPT INFO	GROUP		HOURLY ACCUMULATORS
- DEPT #	ACTION CODE		VOID ACCUMULATORS
- DEPT NAME	ITEM #		COMPRESS DATABASE
- DEPT ADDR	GRADE #		CLEAR ALL
- DEPT UPC			
ITEM # DUPE			

**Table 4-2: Database Functions**



Required

Editing any of the alphabetical fields, such as Description and Extra Text, requires a programming keyboard.



---

## Database Setup Mode

To access database setup, press the SETUP MODE key. Use UP/DOWN to toggle to **DATABASE**, then press ENTER. If a password has been set up for the database mode, key in the password and press the ENTER KEY.

---

### Passwords

To change the password for database access, press the PASSWORDS key. At the **PASSWORD** prompt, enter a number between 1 and 9999. To disable the password enter a zero (0).

---

### Edit

This function allows you to edit records in the database. The fields which are editable vary depending on the type of PLU. For example, a Standard Pack PLU will not need a Tare or Unit Price field.

#### PLU

Press ENTER at the **PLU** prompt to change or to add a new PLU record. Enter the PLU you wish to edit or add. If it is a new PLU, the prompt **PLU NT FD! ADD ACTV** will appear. To continue and add a new active record press ENTER, otherwise press CLEAR. Respond to each of the following prompts by pressing ENTER to update it, or DOWN or UP to scroll to the next.

#### PLU NUMBER:

Enter a new PLU number from 1 - 999999.

#### ITEM:

Enter an item number between 0 - 9999999999. This number is used in the Bar Code symbol.

#### DESC 1 and DESC 2:

These fields are edited by pressing ENTER at the **DESC1** or **DESC2** prompt.

Changes must be made on the programming keyboard which is connected to the jack on the bottom of the Model 8450. The Desc1 line displays when that PLU is called up. There is a maximum of 32 alphanumeric characters per description field.



Required

#### PLU TYPE:

Choose **BY WGT**, **LB FOR**, **BY 1/2**, **BY 1/4**, **BY CNT**, **STD PACK** or **MANUAL** by toggling to that prompt and pressing ENTER.

#### TARE1/COUNT:

Toggle between **FORCED** or a numeric value. For the numeric value, enter the value of these tares with the numeric keypad and press ENTER. For a forced tare, toggle to **FORCED** and press ENTER.

#### TARE/PROP TARE:

Toggle between **FORCED**, **PROP**, or a numeric value. For the numeric value, enter the value of these tares with the numeric keypad and press ENTER. For a forced tare, toggle to **FORCED** and press ENTER. For **PROP** proportional tare, press ENTER and then enter the percentage for the proportional tare as a value between 0 and 99.99. For example, if 10.00 is entered, the proportional tare is 10%.

**UNIT/TOTAL PRICE:**

Enter 6 digits 0 - 999999 or **FORCED** price for By-Weight, lb/for, ¼, ½, total price for By-Count, and Standard Pack. To change the currency increments, enter the currency function under Unit Setup.

**SHELF LIFE:**

0 - 999 days used to calculate Sell By date printed on the label.

**USE BY:**

0 - 999 days used to calculate Use By date printed on the label.

**GROUP #:**

Items can be categorized by groups within a department. For example, in a bakery there could be a group for cookies and a group for pies. This allows various reports to be printed based on each group. To change this enter a new value between 0 - 500 with the numeric keypad and press ENTER.

**GRADE #:**

Lines of text with grade information can be linked to each PLU. Enter the number of the Grade text between 0 - 16 to be linked to this PLU with the numeric keypad and press ENTER. 0 means no grade is selected.

**ET #:**

Lines of extra text can be linked to each PLU. Enter the number of the Extra Text record between 0 - 999999 to be linked with this PLU with the numeric keypad and press ENTER. 0 means no ET is selected.

**NF #:**

Nutrition Fact information can be linked to each PLU. Enter the number of the Nutrition Fact record between 0 - 999999 to be linked with this PLU with the numeric keypad and press ENTER. 0 means no NF is selected.

**GRAPHIC:**

Graphics can be linked to each PLU and will be printed if a label format which prints a graphic is selected. Enter the number of the graphic record between 0 - 999999 to be linked with this PLU with the numeric keypad and press ENTER. 0 means no Graphic is selected.

**ACTION CODE #:**

Action codes can be linked to each PLU which will replace the store address, display a different PLU description, or can be used to scroll a marquee. Enter the number of the Action Code record between 0 - 50 to be linked with this PLU with the numeric keypad and press ENTER. 0 means no Action Code is selected.

**BARCODE:**

The barcode to be printed on the label is determined by this setting. This menu is different depending on the Unit Setup for barcode type, **EAN** or **UPC**.

At the prompt you can choose from **USE SCL SETTING** or choose a type from the **TYPE?** List. These types include **GEN MERCH (0)**, **NOT IDENT (1)**, **RAND WT (2)**, **DRUG & HEALTH (3)**, **STORE MARK (4)**, **COUPONS (5)**, **PRICE ENCODED (6)** and **NOT IDENT (7)**. (The numbers in parentheses correspond to the values of these barcode types in the master units.) If **RAND WT** or **PRICE ENCODED** types are selected, a format string can be selected from the **FORMAT?** prompt list. For **RAND WT** and **PRICE ENCODED** these format strings are:

Note:  
N = Item Number  
C = Price Check Digit  
\$ = Total Price  
# = Weight  
W = Weight Check Digit  
X = Bar Code Check Digit.

- 0: NNNNN C\$\$\$\$ X
- 1: NNNNN O\$\$\$\$ X
- 2: NNNNN N\$\$\$\$ X
- 3: NNNNN \$\$\$\$\$ X
- 4: NNNNN W#### X
- 5: NNNNN O#### X
- 6: NNNNN N#### X
- 7: NNNNN ##### X

If the Unit Setup barcode type is EAN, you can first choose **USE SCL SETTING**. There is an additional field called **PREFIX**. There will be **BY\_WGT\_PREFIX**, **BY\_CNT\_PREFIX**, **STD\_PACK\_PREFIX**, AND **RUN\_TOT\_PREFIX**. Both the first and second digit of the EAN barcode can be changed. To change the prefix, follow the example below.

	<u>Display</u>
	<b>BY_WGT_PREFIX: 5_3</b>
<b>Press ENTER</b>	<b>BY_WGT_PREFIX? 5_3</b>
<b>Enter digits 2 and 4</b>	<b>BY_WGT_PREFIX? 2_4</b>
<b>Press ENTER</b>	

The digits 2 and 4 are now set as the first and second digit of the "BY\_WGT\_PREFIX" prompt. The display now shows the next prompt "BY\_CT\_PREFIX 5\_3: 2\_1". Use the same procedure to set the other barcode prefix for the other PLU types.

**BLANK:**

This allows you to blank one of the following fields on a label: **PACK DATE**, **NET WEIGHT**, **UNIT PRICE**, or **TOTAL PRICE**. To blank one of these fields, press ENTER at that prompt and toggle **YES** or **NO**. When these fields are blanked, only the values are blanked not the legends.



Required

### Extra Text

This allows you to add a new or edit an existing extra text record. Press ENTER at the **EXTRA TEXT** prompt. With the numeric keypad enter the number of the extra text record to be edited (6 digit number 1-999999).

### New Extra Text Records

If the record is new, the prompt will display **XT NT FD! ADD XT**. To add the new extra text, press ENTER, otherwise press CLEAR. At the **CHAR PER LINE** prompt, enter a number between 1 and 99. 54 is the maximum number of characters per line without wrapping the line around. The most common numbers are 32, 42 and 54 characters per line.

### Entering the Extra Text

Now you should be able to begin typing in the extra text with the programming keyboard. If the extra text was not a new record, the current text will be displayed on the screen and ready for editing. Otherwise, type in the new extra text. *Press [F10] on the keyboard when finished.* You will be prompted to **SAVE CHANGES**. Pressing ENTER will result in a **SURE? YES** prompt and require one more ENTER to save or CLEAR to exit without saving. Pressing CLEAR at the **SAVE CHANGES** prompt will exit without saving.



Required

### Nutrition Facts

This allows you to edit a current or add a new nutrition facts record. The first prompt requests a nutrition facts record number (6 digit number 1-999999). If it is a new Nutrition Facts record, the display will read **NF NT FD! ADD NF**. Pressing ENTER here will continue and add a new record as the following describes. Pressing CLEAR will leave the nutrition facts editing.

#### LABEL?

At this prompt, choose the type of label for the nutrition facts to be printed on by toggling through the choices and pressing ENTER. **SINGLE** will print the nutrition facts on the label with all the rest of the PLU information. **ALT PLU/NF** will print a PLU label followed by a nutrition facts label, while **ALT NF/PLU** will print a nutrition facts label followed by a PLU label. **BATCH PLU/NF** and **BATCH NF/PLU** will do the same but in a batch process. The second nutrition facts only label will be printed according to the label format selected in the Unit Setup Label Format menu.

#### FORMAT?

The format for the nutrition facts record can be chosen by toggling through the following choices and pressing ENTER: **VRT STD** (vertical standard), **VERT SIMP** (vertical simplified), **TABULAR**, **LINR LND** (linear landscape), and **LINR PRT** (linear portrait).

#### SERV UNITS?

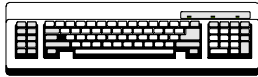
This will select the serving units used to calculate servings per container by toggling through the following prompts: **OZ** (numeric entry for By Weight and Standard Pack PLUs only), **PIECES** (numeric entry for by Count or Standard Pack PLUs only), or **TEXT** (alphanumeric entry, entered for both serving units and servings per container). This is done by pressing ENTER on the prompt and entering in the requested information followed by ENTER. Table 4-3 lists the fields that are required (R) and voluntary (V) along with the insignificant value (when applicable).

Nutrition Field	Type	Insig. Amount
Calories	R	<=5
Calories from fat	R	<=5*
Calories from saturated	V	
Total fat (g)	R	<=0.5
Total fat (%)	R	
Saturated fat (g)	R	<=0.5
Saturated fat (%)	R	
Polyunsaturated fat (g)	V	
Monounsaturated fat(g)	V	
Cholesterol (mg)	R	<=2*
Cholesterol (%)	R	*
Sodium (mg)	R	<=5
Sodium (%)	R	
Potassium (mg)	V	
Potassium (%)	V	
Total carbohydrate (g)	R	<=1
Total carbohydrate (%)	R	
Dietary fiber (g)	R	<=1*
Dietary fiber (%)	R	*
Soluble fiber (g)	V	
Insoluble fiber (g)	V	
Sugar (g)	R	0*
Sugar Alcohol	V	
Other carbohydrates (g)	V	
Protein (g)	R	<=1
Protein (%)	V	
Vitamin A (%)	R	<=2%*
Beta-carotene (%)	V	
Vitamin C (%)	R	<=2%*
Calcium (%)	R	<=2%*
Iron (%)	R	<=2%*
Vitamin D (%)	V	
Vitamin E (%)	V	
Thiamin (%)	V	
Riboflavin (%)	V	
Niacin (%)	V	
Vitamin B6 (%)	V	
Folate (%)	V	
Vitamin B12 (%)	V	
Biotin (%)	V	
Pantothenic acid (%)	V	
Phosphorus (%)	V	
Iodine (%)	V	
Magnesium (%)	V	
Zinc (%)	V	
Copper (%)	V	

\* = For the Vertical Simple template, these fields are not printed in the main Nutrition Facts table when they have insignificant values. They are printed in the footnote, following the words "Not a significant source of . . ." with the other fields that contain insignificant amounts. See 21 CFR part 101.9(f).

Table 4-3 NF Record

Press CLEAR to exit the Nutrition Facts setup. A prompt to **SAVE CHANGES** will be displayed. Press ENTER to save and exit. Press CLEAR to exit without saving.



Required

### Action Code

Action Code records can be linked to a PLU to do one of three things, print a store address line, print a PLU description or scroll a marquee. Press ENTER at the **ACTION CODE** prompt to enter into this function. Type a current action code record number or a new record number and press ENTER (2 digit number 1-50). The next prompt, **TYPE?**, will toggle through the three types. Press ENTER to choose one of the types described below.

#### STORE ADDR

This type will print a store address at the bottom of a label. After pressing ENTER, the prompt **LINE 1** will appear. Press ENTER and type the **LINE 1** text on the programming keyboard, followed by ENTER. The prompt **LINE 2** will then appear. Enter the **LINE 2** text followed by ENTER. At the **SAVE CHANGES** prompt, press ENTER to save and exit, or press CLEAR to exit without saving.

#### PLU DESCR

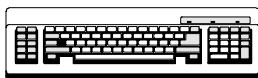
This type will override the PLU description that is normally displayed on the lower scale display. It does not change the description printed on the label. It can be used to display a special message for the customer or operator. After pressing ENTER, the prompt **LINE 1** will appear. Press ENTER here and type the text on the programming keyboard followed by ENTER. At the **SAVE CHANGES** prompt, press ENTER to save and exit, or press CLEAR to exit without saving.

#### MARQUEE

This type of action code will define the text for a scrolling marquee. After pressing ENTER, a cursor will appear waiting for text input from the PCAT keyboard. Enter the marquee text and press ENTER. At the **SAVE CHANGES** prompt, press ENTER to save and exit, or press CLEAR to exit without saving.

### Grade

This function is used to program Grade Text. After pressing ENTER, enter the record number of the grade text to be edited (2 digit number 0-16). A cursor will appear waiting for text input from the programming keyboard. Enter the grade text and press ENTER. At the **SAVE CHANGES** prompt, press ENTER to save and exit and CLEAR to exit without saving.



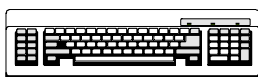
Required

### Group

This function will assign a text string to a group number. This text string will then be printed on the Group Totals report heading. After pressing ENTER, enter the record number of the group text to be edited. A cursor will appear waiting for text input from the programming keyboard. Enter the group text and press ENTER. At the **SAVE CHANGES** prompt, press ENTER to save and exit and CLEAR to exit without saving.

### Department Info

This allows information about the department to be entered. At each of the prompts, enter the requested information followed by ENTER. **DEPT NAME** and **DEPT ADDR** are alphanumeric entries from the programming keyboard. The **DEPT ADDR** can have 2 lines. The **DEPT UPC** is a generic UPC number for totals labels for that department.



Required

### Item # Duplication

This function simply toggles **YES** and **NO** entries. Selecting **YES** allows different PLU records to have the same item number. Selecting **NO** does not allow this.

---

## Quick Change

This function allows you to change one of the following fields of a PLU without having to go through all of the other fields at the same time: **PRICE, TARE, ET #, NF #, SHELF LIFE, USE BY, GROUP #, ACTION CODE, ITEM,** and **GRADE #**. The **QUICK PRICE** changes the **UNIT PRICE** field for By Weight PLUs and the **TOTAL PRICE** field for Standard Pack and By Count PLUs. The **QUICK TARE** changes the **TARE1** field.

---

## Print

This function will print reports for the following: **PLU TOTALS, GROUP TOTALS, HOURLY TOTALS, GRAND TOTALS,** and **MEMORY AVAILABLE**. The reports are printed on labels the format of which are chosen in the Unit Setup Label Format function. Refer to Appendix 2 for the label formats for reports. To print one of these reports, press ENTER at that prompt. The results are displayed on the tower display. To print, press the PRINT key (exception: Hourly totals will print automatically). To stop printing in the middle of a run, press the CLEAR key.

---

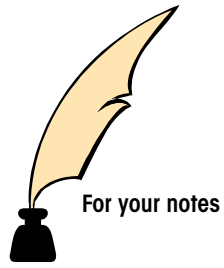
## Clear

This function allows you to clear out or delete various parts of the database. The first 4 choices, **CLEAR PLU/ITEM, CLEAR EXTRA TEXT, CLEAR NUTRIFACT,** and **CLEAR GRAPHIC,** will clear individual records in each of those areas. Press ENTER at the prompt. The next prompt can be toggled between **ALL** and the record type. For example, press ENTER at the **CLEAR PLU/ITEM** prompt. Now you can toggle between **PLU/ITEM** and **ALL**. Pressing ENTER at **PLU/ITEM,** will request a PLU number to delete. Pressing ENTER at **ALL** will clear all PLU records. Both cases will prompt with **SURE?? NO** before continuing. The other 3 choices work the same way but with the other record types of extra text, nutrifact, and graphic.

The next four choices, **CLEAR PLU/ITEM TOT, CLR GROUP TOTALS, HOURLY ACCUMULATORS,** and **VOID ACCUMULATORS,** will clear the totals for each of those areas. **CLEAR PLU/ITEM TOT** works as described in the above paragraph where there is a choice between clearing totals for **ALL** PLUs or for just one PLU. **CLR GROUP TOTALS** requests a group number to be entered. Both end with a **SURE?? NO** prompt. The two accumulators display a prompt with the current department number and a toggle between **YES** and **NO**. There is no **SURE?** prompt to double check on clearing accumulators.

The next choice, **COMPRESS DATABASE,** should be used if any 'Out of Memory' errors are displayed. Press ENTER at the prompt and toggle **YES** and **NO** at the **SURE??** prompt to continue.

The final choice, **CLEAR ALL,** will clear everything from the database completely including all PLU, Extra Text, Nutrition Facts and Graphic records and accumulators. There is a **SURE?? NO** prompt to make sure this is what you want to do.



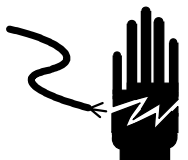



# 6

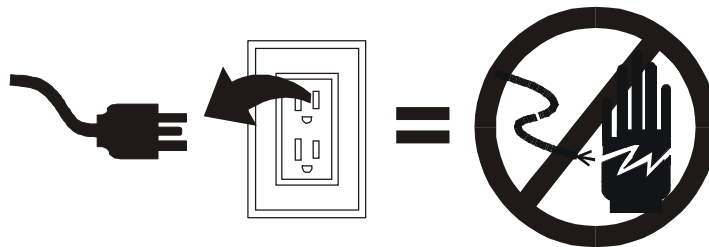
## Maintenance

### External Cleaning

	 <b>WARNING</b>
	<b>DO NOT SPRAY OR WASH DOWN. HAZARD OF ELECTRICAL SHOCK OR BURN.</b>

	 <b>WARNING</b>
	<b>DISCONNECT ALL POWER TO THIS UNIT BEFORE REMOVING THE FUSE OR SERVICING.</b>

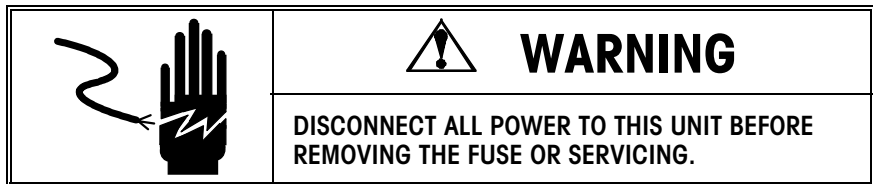
Turn the scale power off by placing the power switch to the OFF position (press the "o" on the power switch). Disconnect the power cord from the outlet.



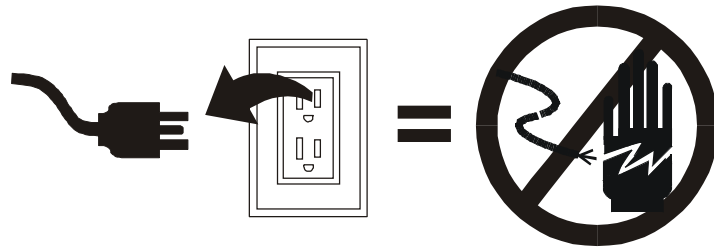
Use a soft clean cloth dampened with a mild detergent and water (or a mild cleaner) to wipe the exterior surfaces. Do not spray liquid directly on the unit. A mild spray cleaner can be used by spraying the cleaning cloth.



## Internal Printer Cleaning



Turn the power off by placing the power switch to the OFF position (press the "o" on the power switch). Disconnect the power cord from the outlet.



Open the printer door. Clean any adhesive or debris buildup from the stripper bar, platen roller, and printhead using METTLER TOLEDO liquid cleaner or equivalent or the METTLER TOLEDO Clean Pen. **DO NOT USE A METAL DEVICE TO REMOVE LABELS FROM COMPONENTS OR SEVERE DAMAGE MAY RESULT. DO NOT SCRAPE THE PRINTHEAD WITH ANY OBJECT TO REMOVE GLUE OR LABEL DEBRIS.**

To clean the printhead, unlock the printhead by lifting the rear of the printhead assembly forward and up at the same time. Once the rear of the assembly is unlocked then lift the front of the printhead assembly. Refer to Figure 6-1. Remove the paper stock and clean the printhead and paper path with a soft, clean cloth soaked in isopropyl alcohol, METTLER TOLEDO liquid cleaner or equivalent, or the METTLER TOLEDO Cleaning Pen.

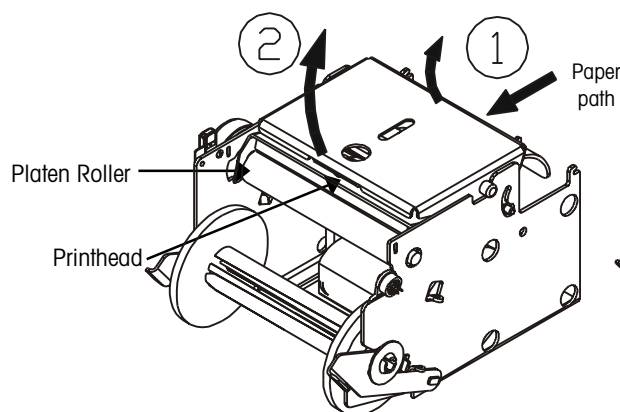


Figure 6-1: Unlocking the Printhead

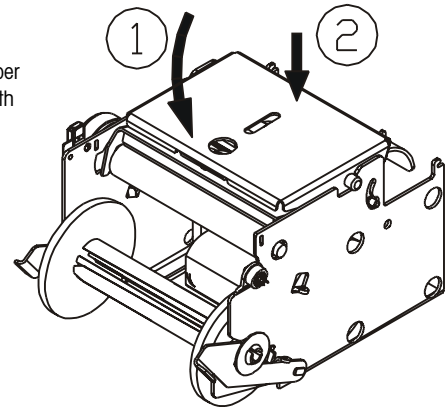


Figure 6-2: Locking the Printhead

To lock the printhead back down when complete, see Figure 6-2.

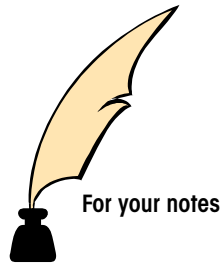
# 7

## Label Formats

- BCB** Bar Code on Bottom
- By Cnt** By Count Pricing
- By Wght** By Weight Pricing
- Cont** Continuous Strip Label
- Grd** Grade
- NF** Nutrifact Text
- Pack** Pack Date
- Sell** Sell By Date
- SH** Safe Handling Text Printed by 8461.
- SHS** Safe Handling Space on Preprinted Labels.
- Std Pck** Standard Pack Pricing

Refer to the Model 8450 or Model 355 Service Manual for illustrations of the label formats.

Label Number	Size	Type	Date	Other Info	BC Position	Label Number	Size	Type	Date	Other Info	BC Position
31	1.9"	By Wght	Sell	Grd		80	3.7"	By Cnt	Sell	NF	
32	1.9"	By Cnt	Sell	Grd		81	4.2"	By Wght	Sell	Grd	
33	1.9"	Std Pck	Sell	Grd		82	4.2"	By Cnt	Sell	Grd	
34	1.9"	By Wght				83	4.2"	Std Pck	Sell	Grd	
35	1.9"	By Cnt				84	4.2"	By Wght	Sell	Grd	BCB
36	1.9"	Std Pck				85	4.2"	By Cnt	Sell	Grd	BCB
37	1.9"	By Wght	Pack	Grd		86	4.2"	Std Pck	Sell	Grd	BCB
38	1.9"	By Cnt	Pack	Grd		87	4.2"	By Wght	Sell	Grd	SH
39	1.9"	Std Pck	Pack	Grd		88	4.2"	By Wght	Sell	Grd	SHS
40	2.1"	By Wght	Sell	Grd		89	4.2"	By Wght	Sell	Grd	NF
41	2.1"	By Cnt	Sell	Grd		90	4.2"	By Cnt	Sell	Grd	NF
42	2.1"	Std Pck	Sell	Grd		91	4.2"	Std Pck	Sell	NF	
43	2.1"	By Wght				92	4.7"	By Wght	Sell	Grd	
44	2.1"	By Cnt				93	4.7"	By Cnt	Sell	Grd	
45	2.1"	Std Pck				94	4.7"	Std Pck	Sell	Grd	
46	2.1"	By Wght	Pack	Grd		95	4.7"	By Wght	Sell	Grd	BCB
47	2.1"	By Cnt	Pack	Grd		96	4.7"	By Cnt	Sell	Grd	BCB
48	2.1"	Std Pck	Pack	Grd		97	4.7"	Std Pck	Sell	Grd	BCB
49	2.4"	By Wght	Sell	Grd		98	4.7"	By Wght	Sell	Grd	SH
50	2.4"	By Cnt	Sell	Grd		99	4.7"	By Wght	Sell	Grd	SHS
51	2.4"	Std Pck	Sell	Grd		100	4.7"	By Wght	Sell	Grd	NF
52	2.4"	By Wght	Sell	Grd	BCB	101	4.7"	By Cnt	Sell	Grd	NF
53	2.4"	By Cnt	Sell	Grd	BCB	102	4.7"	Std Pck	Sell	Grd	NF
54	2.4"	Std Pck	Sell	Grd	BCB	103	5.1"	By Wght	Sell	Grd	
55	2.4"	By Wght	Sell	Grd		104	5.1"	By Cnt	Sell	Grd	
56	2.4"	By Cnt	Sell	Grd		105	5.1"	Std Pck	Sell	Grd	
57	2.4"	Std Pck	Sell			106	5.1"	By Wght	Sell	Grd	BCB
58	2.4"	BW	Sell	Grd	BCB	107	5.1"	By Cnt	Sell	Grd	BCB
59	2.4"	By Cnt	Sell	Grd	BCB	108	5.1"	Std Pck	Sell	Grd	BCB
60	2.4"	Std Pck	Sell		BCB	109	5.1"	By Wght	Sell	Grd	SH
61	2.4"	By Wght	Sell	Grd	SH	110	5.1"	By Wght	Sell	Grd	SHS
62	2.4"	By Wght	Sell	Grd	SHS	111	5.1"	By Wght	Sell	Grd	NF
63	3.3"	By Wght	Sell	Grd		112	5.1"	By Cnt	Sell	Grd	NF
64	3.3"	By Cnt	Sell	Grd		113	5.1"	Std Pck	Sell	Grd	NF
65	3.3"	Std Pck	Sell	Grd		114	Con	By Wght	Sell	BCB	
66	3.3"	By Wght	Sell	Grd	BCB	115	Con	By Cnt	Sell	BCB	
67	3.3"	By Cnt	Sell	Grd	BCB	116	Con	Std Pck	Sell	BCB	
68	3.3"	Std Pck	Sell	Grd	BCB	117	Con	By Wght	Sell	SH	BCB
69	3.3"	By Wght	Sell	Grd	SH	118	Con	By Wght	Sell	NF	BCB
70	3.3"	By Wght	Sell	Grd	SHS	119	Con	By Cnt	Sell	NF	BCB
71	3.7"	By Wght	Sell	Grd		120	Con	Std Pck	Sell	NF	BCB
72	3.7"	By Cnt	Sell	Grd		121	Rec				
73	3.7"	Std Pck	Sell	Grd							
74	3.7"	By Wght	Sell	Grd	BCB						
75	3.7"	By Cnt	Sell	Grd	BCB						
76	3.7"	Std Pck	Sell	Grd	BCB						
77	3.7"	By Wght	Sell	Grd	SH						
78	3.7"	By Wght	Sell	Grd	SHS						
79	3.7"	By Wght	Sell	NF							



## 8

## Error Messages

The following is a list of "Operator" errors that may occur. These errors are an "invalid operation" type and are displayed in order to explain the problem:

Error Message	Description
<b>*DOWNLOAD ERROR*</b>	Indicates an error during the backup download from the master. The master may be off-line. Check the master and the communication cable on the scale.
<b>BAD PRINTER COMM</b>	This is a printer error. Turn power off, then on. Try printing another PLU. If problem persists, call for service.
<b>CHECK LABEL STOCK</b>	Scale may be out of labels or incorrectly threaded.
<b>COMMUNICATION ERROR</b>	Indicates the satellite has lost communication with the master scale. This could occur during a download PLU routine. The cause could be the master scale being turned off, a loose or broken communication line, or a failure in the master scale. Also check power to the master scale and the fuse.
<b>INVALID ENTRY</b>	Incorrect entry made when making an accumulator adjustment, under zero, or overflow.
<b>INVALID PRICE MODE</b>	Incorrect entry found in modifier or package code fields during a price entry (or change). When the package code is "2", the modifier must be a "2" or a "4" indicating 1/2 or 1/4 lb pricing. When the package code is "1" (By Count), the modifier must be greater than "0". When in Pound For or By Count mode, the number of pounds or the count is too many digits.
<b>INVALID PRICE MODE</b>	Invalid date found in modification or package code fields in the PLU record.
<b>INVALID TARE</b>	Invalid tare entry.
<b>ITEM # NOT FOUND</b>	The entered Item number was not found (does not exist).
<b>MEMORY IS FULL</b>	The satellite memory is full.
<b>NO EXTRA TEXT FOUND</b>	The entered Extra Text number was not found (does not exist).
<b>OVER READY</b>	Scale is over capacity.
<b>PLU # NOT FOUND</b>	The entered PLU number was not found (does not exist).

<b>Error Message</b>	<b>Description</b>
<b>PROP TARE 2 ERROR</b>	The Tare 2 field in the PLU record is set to a proportional tare and the satellite is set up to use Tare 2. However, the satellite is also set up to prohibit the use of proportional tare. Change the setup to allow proportional tare.
<b>RECORD NOT FOUND</b>	The Extra Text, Nutrition Fact, or Graphics number does not exist in the master database.
<b>TEXT FILE TOO LARGE</b>	Extra Text file is too big to fit in memory.
<b>TOTAL\$&gt;\$999.99</b>	Total dollar amount exceeds the ability of the printer to print the value.
<b>UNDER READY</b>	Scale is under capacity.



**METTLER TOLEDO**  
1900 Polaris Parkway  
Columbus, Ohio 43240

P/N: A14858900A

(8/99)

METTLER TOLEDO® and *SmartTouch*® are registered Trademarks of Mettler-Toledo, Inc.  
©1997, 1998, 1999 Mettler-Toledo, Inc.  
Printed in USA



A14858900A