

Harsh Terminal

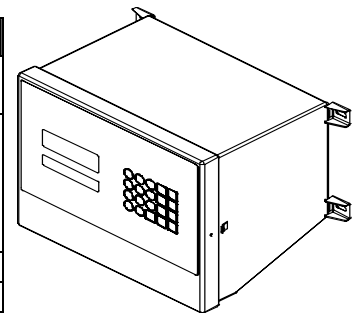
Model	JAGXTREME (JXHA)
Physical Dimensions W x D x H	321 x 210 x 236 mm/12.62 x 8.03 x 9.3 in.
Operating Temperature	-10° C to 45° C (14° F to 113° F); 10 to 95% humidity, non-condensing
Power	85 to 264 VAC, 47-63 Hz, auto-sensing (000 finish code) 190 to 264 VAC 47-63 Hz (other finish codes)
Environmental Protection	NEMA 4X (IP65)
Display	Upper: 7-digit, 7-segment vacuum fluorescent, 13 mm/0.5 in. high Lower: 16-characters, 5 x 7 dot matrix vacuum fluorescent, 6 mm/0.25 in. high
Controller PCB	Ethernet, 10BASE-T 4-discrete inputs configurable 4-discrete outputs configurable COM1: RS-232 or 20mA current loop active transmit/passive receive COM2: RS-232 or RS-422/RS-485 (DigiTOL® scale) PS/2 type QWERTY keyboard connection
Approvals	NTEP CoC #94-096 Class III/IIIL, 10,000d; OIML NMi TC2618, AM-5041 (Canada); cUL, UL

Options:

- Analog, DigiTOL®, POWERCELL®, and High Precision scale interfaces
- PROFIBUS® interface, Allen-Bradley® RIO option, ControlNet/Ethernet/IP, and MODBUS PLUS®
- Reduced excitation analog scale interface
- Multifunction I/O interface card
- Stainless steel column mounting bracket, Analog, DigiTOL®, POWERCELL®, and High Precision scale interfaces

**Powerful,
Dependable,
Flexible**

Features	Benefits
Harsh Environment Enclosure	<ul style="list-style-type: none"> ■ Better sanitation and cleaning ■ Removable wall mounting clips
Ethernet Port	<ul style="list-style-type: none"> ■ 10BASE-T (RJ-45) port standard (TCP/IP, SMTP, HTTP, FTP, PPP supported) ■ True web-based server embedded for configuration and diagnostics ■ Upload and download reports, configurations, JagBASIC® programs via the internet
Alphanumeric Keyboard Entry	■ Intuitive setup and custom operator prompting
Five Printer Templates	■ Program custom serial outputs to print exactly what is required
Two Serial Ports	■ Interface multiple serial peripheral devices for data input and output—fully configurable
Four Scale Operation	■ Simultaneously supports two scale platforms in any combination of the following technologies (Analog, DigiTOL POWERCELL, DigiTOL J-box/Bench, IDNET). If the technologies are all analog or POWERCELL, the terminal can be configured to support four scale platforms.
Self-Diagnostics	■ Quick, simple troubleshooting saves installation, start-up, and troubleshooting time
Stored Tare and Zero Values	■ Accurate restart of system after power loss with no need to empty scale
More Than 300 A/Ds Per Second	■ Quick weight response resulting in more accurate weights in automated weighing systems
Extended JagBASIC® Programming Language	■ Provides a quick and easy method to provide custom programming. Additional programming and data memory are now standard
TraxDSP™ Filtering	<ul style="list-style-type: none"> ■ Reduces vibration effects to give a stable, accurate weight ■ Includes ultra-quiet analog front end, a proprietary high speed/high resolution A/D and dedicated 16-bit processor for serial processing
TraxEMT™ Maintenance	■ Embedded Maintenance Technician—Maintenance planning, condition monitoring, calibration checking, fault recognition and recovery; ISO compliance
Allen-Bradley® Remove I/O Option MODBUS® PLUS Interface PROFIBUS® DP Slave Interface	■ Direct connection to PLC, DCS, and PC-based control, HMI and SCADA systems



Produced in a Facility that is



Contact your local METTLER TOLEDO authorized distributor or sales office for further information.